

# Signal Beacon - LED

## Series 6162



www.stahl.de



06147E00

- > Versions
  - rotating mirror beacon
  - rotating beacon
  - beacon with double flash (9 + 5 J)
  - flashing beacon (15 J)
  - LED-continuous beacon
  - LED-rotating beacon
- > Seawater resistant aluminium enclosure with glass dome
- > Integrated Ex e connection chamber
- > Glass dome available in: signal yellow, red, orange and blue resp. clear
- > Available with
  - 20 W / 35 W halogen bulb or as
  - LED-continuous beacon / LED-rotating beacon



The R. STAHL Signal Beacon Series 6162 is approved for use in Ex Zones 1, 2, 21 and 22. All models feature an integrated "increased safety" wiring space. The rotating mirror beacons and the rotating beacons have an integrated wear resistant friction gear which creates 180 light signals per minute. The wear-free LED beacons ensure an extremely high service life of up to 50,000 hours due to the innovative LED technology. In addition to the LED-continuous beacon, a LED-rotating beacon is also available. This LED-rotating beacon is maintenance-free thanks to the absence of any moving components. The robust, seawater resistant aluminium enclosure ensures IP66 protection for all models.

Zone	ATEX / IECEx / GOST					
	0	1	2	20	21	22
For use in		x	x		x	x





**WebCode 6162A**

# Signal Beacon - LED

## Series 6162



Selection Table

Version	Rated operational voltage	Lamp wattage	Temperature class	Max. surface temperature	Max. ambient temperature	Order number	Art. no.	Weight
								kg
 06128E00 Rotating mirror beacon	24 V AC / DC, 50 ... 60 Hz	20 W	T4 T4	105 °C 115 °C	40 °C 50 °C	6162/17-61-.11	120872	5.600
		35 W	T3 T3	150 °C 160 °C	40 °C 50 °C	6162/17-62-.11	120863	5.600
	115 V AC, 50 ... 60 Hz	35 W	T3 T3	150 °C 160 °C	40 °C 50 °C	6162/17-32-.11	120866	5.600
	230 V AC, 50 ... 60 Hz	20 W	T4 T4	105 °C 115 °C	40 °C 50 °C	6162/17-11-.11	120871	5.600
		35 W	T3 T3	150 °C 160 °C	40 °C 50 °C	6162/17-12-.11	120869	5.600
	 05759E00 Rotating beacon	24 V AC / DC, 50 ... 60 Hz	20 W	T6 T5	80 °C 90 °C	40 °C 50 °C	6162/18-61-.11	120874
35 W			T4 T4	105 °C 115 °C	40 °C 50 °C	6162/18-62-.11	120864	5.600
115 V AC, 50 ... 60 Hz		35 W	T4 T4	105 °C 115 °C	40 °C 50 °C	6162/18-32-.11	120867	5.600
230 V AC, 50 ... 60 Hz		20 W	T6 T5	80 °C 90 °C	40 °C 50 °C	6162/18-11-.11	120873	5.600
		35 W	T4 T4	105 °C 115 °C	40 °C 50 °C	6162/18-12-.11	120870	5.600
 05759E00 Beacon with double flash		24 V DC	9 + 5 J	T5 T5	85 °C 95 °C	40 °C 50 °C	6162/16-53-.11	120861
	115 V AC, 50 ... 60 Hz	9 + 5 J	T5	90 °C	40 °C	6162/16-23-.11	120865	5.600
			T4	100 °C	50 °C			
230 V AC, 50 ... 60 Hz	9 + 5 J	T5 T5	85 °C 95 °C	40 °C 50 °C	6162/16-13-.11	120868	5.600	
 05759E00 Flashing beacon	24 V AC / DC (± 15 %), 50 ... 60 Hz	15 J	T6 T6	75 °C 75 °C	40 °C 50 °C	6162/15-64-.11	120877	5.600
			T5 T4	95 °C 105 °C	40 °C 50 °C	6162/15-44-.11	120875	5.600
	230 ... 240 V AC, 50 ... 60 Hz	15 J	T6 T6	80 °C 80 °C	40 °C 50 °C	6162/15-74-.11	120876	5.600

Order Number Supplement

Colour of glass	signal yellow	6162/...-1..	
	clear	6162/...-2..	
	red	6162/...-3..	
	blue	6162/...-4..	
	orange	6162/...-6..	

Note The optical beacons are supplied without mounting accessories and wire guard. These must be ordered separately!

H3

# Signal Beacon - LED

## Series 6162



Selection Table

Version	Colour of glass	Rated operational voltage	Lamp wattage	Temperature class	Max. surface temperature	Max. ambient temperature	Order number	Art. no.	Weight
 12628E00 LED-continuous beacon	signal yellow	24 V DC	5 W	T6	70 °C	40 °C	<b>6162/19-55-111</b>	<b>201879</b>	5.300 kg
					T6	80 °C			
		115 ... 230 V AC, 50 ... 60 Hz	5 W	T5	90 °C	60 °C	<b>6162/19-95-111</b>	<b>201901</b>	5.300
					T6	70 °C			
				T6	80 °C	50 °C	<b>6162/19-55-311</b>	<b>201880</b>	5.300
					T5	90 °C			
 12629E00 LED-continuous beacon	red	24 V DC	5 W	T6	70 °C	40 °C	<b>6162/19-55-311</b>	<b>201880</b>	5.300
					T6	80 °C			
		115 ... 230 V AC, 50 ... 60 Hz	5 W	T5	90 °C	60 °C	<b>6162/19-95-311</b>	<b>201902</b>	5.300
					T6	70 °C			
				T6	80 °C	50 °C	<b>6162/19-55-611</b>	<b>203036</b>	5.300
					T5	90 °C			
 12696E00 LED-continuous beacon	orange	24 V DC	5 W	T6	70 °C	40 °C	<b>6162/19-55-611</b>	<b>203036</b>	5.300
					T6	80 °C			
		115 ... 230 V AC, 50 ... 60 Hz	5 W	T5	90 °C	60 °C	<b>6162/19-95-611</b>	<b>203037</b>	5.300
					T6	70 °C			
				T6	80 °C	50 °C	<b>6162/19-55-611</b>	<b>203036</b>	5.300
					T5	90 °C			
 12628E00 LED-rotating beacon	signal yellow	24 V DC	3.6 W	T6	70 °C	40 °C	<b>6162/18-55-111</b>	<b>201905</b>	5.300
					T6	80 °C			
		115 ... 230 V AC, 50 ... 60 Hz	3.6 W	T5	90 °C	60 °C	<b>6162/18-95-111</b>	<b>201903</b>	5.300
					T6	70 °C			
				T6	80 °C	50 °C	<b>6162/18-55-311</b>	<b>201906</b>	5.300
					T5	90 °C			
 12629E00 LED-rotating beacon	red	24 V DC	3.6 W	T6	70 °C	40 °C	<b>6162/18-55-311</b>	<b>201906</b>	5.300
					T6	80 °C			
		115 ... 230 V AC, 50 ... 60 Hz	3.6 W	T5	90 °C	60 °C	<b>6162/18-95-311</b>	<b>201904</b>	5.300
					T6	70 °C			
				T6	80 °C	50 °C	<b>6162/18-55-311</b>	<b>201906</b>	5.300
					T5	90 °C			
 12696E00 LED-rotating beacon	orange	24 V DC	3.6 W	T6	70 °C	40 °C	<b>6162/18-55-611</b>	<b>203034</b>	5.300
					T6	80 °C			
		115 ... 230 V AC, 50 ... 60 Hz	3.6 W	T5	90 °C	60 °C	<b>6162/18-95-611</b>	<b>203035</b>	5.300
					T6	70 °C			
				T6	80 °C	50 °C	<b>6162/18-55-611</b>	<b>203034</b>	5.300
					T5	90 °C			

Note The optical beacons are supplied without mounting accessories and wire guard. These must be ordered separately!

# Signal Beacon - LED

Series 6162



## Explosion Protection

### Global (IECEX)

Gas and dust	IECEX PTB 06.0078 Ex de IIC T3 ... T6 Ex tD A21 IP66 T80 °C ... T160 °C
--------------	---

### Europe (ATEX)

Gas and dust	PTB 06 ATEX 1037 ⊕ II 2 G Ex de IIC T* ⊕ II 2 D Ex tD A21 IP 66 T* * Temperature classes are dependent on lamp wattage (see selection table)
--------------	---

### Certificates and approvals

Certificates	IECEX, ATEX, Kazakhstan (GOST-K), Russia (GOST-R), Serbia (IZP), Ukraine (GOST-U), Belarus (GOST-B)
--------------	---

## Technical Data

### Electrical data

Rated operational voltage	see selection table
---------------------------	---------------------

### Luminous Characteristics

Lamp wattage	see selection table		
Rotation speed	rotating mirror beacon:	180 rpm	
	rotating beacon:	60 rpm	
Duty cycle	100%		
Service life	rotating mirror beacon	5000 h (drive)	
	rotating beacon	5000 h (drive)	
	beacon with double flash	4x10 <sup>6</sup> flashes	
	flashing beacon	4x10 <sup>6</sup> flashes	
	LED-rotating beacon	max. 50 000 h	
	LED-continuous beacon	max. 50 000 h	

### Ambient conditions

Ambient temperature	see selection table
---------------------	---------------------


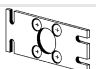
### Mechanical data

Degree of protection	IP66
Protection class	I (acc. to IEC/EN 60598)
Material	
Enclosure	aluminium powder coated, seawater resistant
Dome	glass, temperature change resistant
Wire guard	stainless steel
Seal	NBR O-ring

### Assembly / Installation

Cable entries	1 x M20 x 1,5 (∅ 6 ... 13 mm) 1 x M20 x 1,5 stopping plug metal cable gland on request
Connection cross-section L1, N, PE	2.5 mm <sup>2</sup> finely-stranded 4 mm <sup>2</sup> solid

## Accessories and Spare Parts

Designation	Illustration	Description	Art. no.	Weight kg	
Halogen lamp G6.35		20 W / 12 V	2 pc	<b>120933</b>	0.001
		20 W / 24 V	2 pc	<b>120934</b>	0.001
		35 W / 12 V	2 pc	<b>120935</b>	0.001
		35 W / 24 V	2 pc	<b>120936</b>	0.001
Mounting plate		material: stainless steel, includes mounting screws, for wall or floor mounting	<b>120821</b>	0.170	


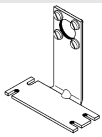



H3

# Signal Beacon - LED

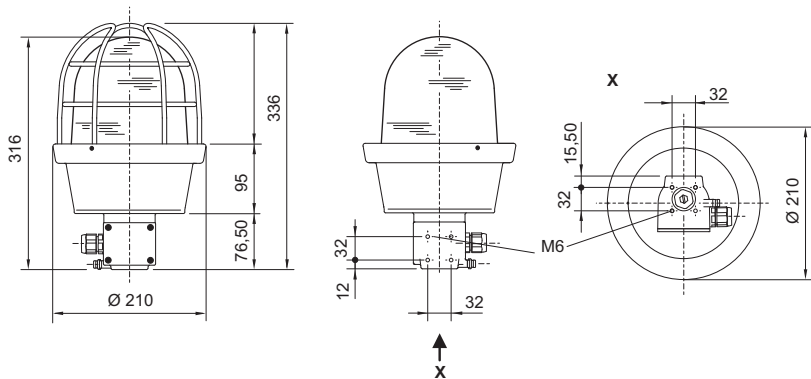
## Series 6162



### Accessories and Spare Parts

Designation	Illustration	Description	Art. no.	Weight kg	
Pipe clamp		R 2"	<b>120921</b>	0.600	
		R 1 1/2"	<b>120920</b>	0.560	
		R 1 1/4"	<b>120919</b>	0.520	
Mounting bracket		material: stainless steel, includes mounting screws	<b>120930</b>	0.450	
Wire guard		material: stainless steel, includes mounting screws	<b>120917</b>	0.540	
Cable gland		cable diameter 6 ... 13 mm			
		8161/5-M20-13	1 piece	<b>138518</b>	0.012
		8161/5-M20-13	50 pieces	<b>138454</b>	0.600
Stopping plug		8290/3-M20	1 piece	<b>143522</b>	0.005
		8290/3-M20	100 pieces	<b>143543</b>	0.500

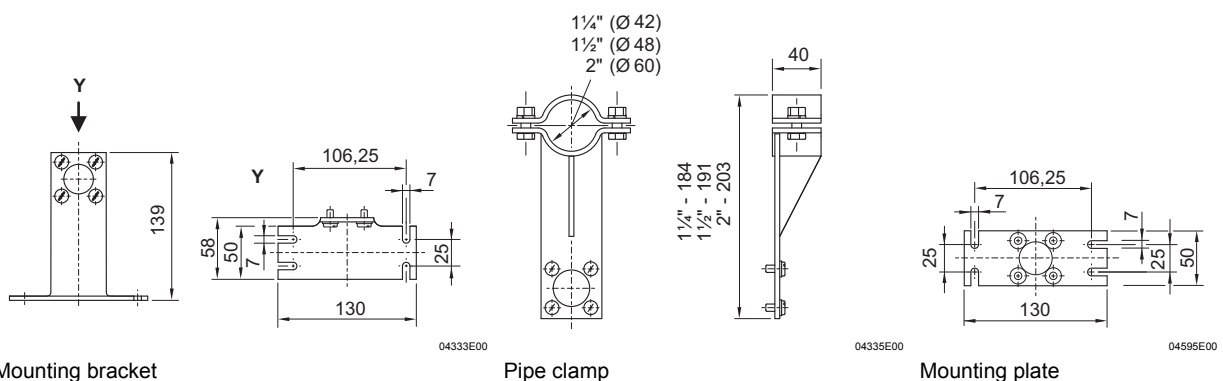
### Dimensional Drawings (All Dimensions in mm) - Subject to Alterations



04282E00

### Signal beacon Series 6162

#### Mounting accessories



Mounting bracket

Pipe clamp

Mounting plate

We reserve the right to make alterations to the technical data, dimensions, weights, designs and products available without notice. The illustrations cannot be considered binding.

Representante oficial de:



[Argentina – Uruguay – Paraguay – Bolivia – Ecuador.]



Calle 49 N° 5764 - Villa Ballester (B1653AOX) - Prov. de Buenos Aires - ARGENTINA  
Tel: (+54 11) 4768-4242 / Fax: (+54 11) 4849-1212  
Mail: [ventas@nakase.com.ar](mailto:ventas@nakase.com.ar) / Web: [www.nakase.com.ar](http://www.nakase.com.ar)

---

