

LED Indicating Lamp Series 8010



www.stahl.de



- > Indicating lamp with white LED
 - High luminance
 - Low heat build-up
 - Very long life
 - Maintenance-free
- > Ex e and Ex i versions
- > Calotte insert caps in the colours red, yellow, green, blue, clear



E4

02725E00

The indicating lamps of Series 8010 display the current state of a command by either switching on or switching off a light signal. In combination with a switchgear device, they indicate the switching state. The indicating lamp contains a white LED. The light signal is displayed via the transparent lamp insert cover equipped with a diffuser lens. This makes it easy to detect a light signal even in poor light conditions. The signal colours red, yellow, green, blue and white are produced by coloured calotte insert caps via colour filtering.






	ATEX / IECEx						Class I (NEC 505) (NEC 506)						Division		Class I		Class II		Class III	
	0	1	2	20	21	22	0	1	2	20	21	22	1	2	1	2	1	2		
Ex e version: For use in		x	x		x	x		x	x								x			
Ex i version: For use in		x	x		x	x	x	x	x								x	x		

WebCode 8010A

LED Indicating Lamp

Series 8010

Selection Table

Version	Description	Circuit diagram	Colour	Order number	Weight kg
 <p>01393E00 LED indicating lamp 8010/2 Ex e</p>	Rated voltage: 12 ... 254 V AC / DC Voltage toleranz: - 10 ... + 6%	 <p>08001E00</p>	white	8010/2-01-ws	0.035
 <p>01825E00 LED indicating lamp 8010/3 Ex i</p>	Voltage: 10.8 ... 30 V AC / DC Safety maximum values (Ex i): $U_i \leq 30 \text{ V}$ $I_i \leq 150 \text{ mA}$ $P_i = 1 \text{ W}$	 <p>08001E00</p>	white	8010/3-02-ws	0.034
 <p>01394E00 Lenses 8602A</p>			red yellow green blue white	8602A0054-1-rt 8602A0054-1-ge 8602A0054-1-gn 8602A0054-1-bl 8602A0054-1-ws	0.024 0.024 0.024 0.024 0.024

Explosion Protection

Marking

IECEX

Ex d e IIC
 Ex d ia/ib IIC
 Ex d e I
 Ex d ia/ib I

Europe (ATEX)

⊕ II 2 G Ex d e IIC
 ⊕ II 2 G Ex d ia/ib IIC
 ⊕ I M 2 Ex d e I
 ⊕ I M 2 Ex d ia/ib I

Certificates

IECEX

Europe (ATEX)

Other certificates

IECEX PTB 06.0016 U

PTB 01 ATEX 1160 U

India (PESO), Canada (CSA), USA (UL), Belarus (Gospromnadzor)

Technical Data

Electrical data

Rated operational voltage

Ex e: 12 (- 10 %) ... 254 (+ 6 %) V AC / DC
 Ex i: 10.8 ... 30 V

Safety-specific maximum values (Ex i)

$U_i \leq 30 \text{ V}$, $I_i \leq 150 \text{ mA}$, $P_i \leq 1 \text{ W}$, inductance L_i and capacity C_i negligible

Frequency range

0 ... 60 Hz

Rated operational current

max. 15 mA

Rated operational power

max. 1 W

Electrical life

10^5 lighting hours

Luminous characteristics

Lamps

white LED

Colour

red, yellow, green, blue, white; via coloured lenses
 (not included in delivery)

Ambient conditions

Ambient temperature

- 20 ... + 55 °C
 further on request

Mechanical data

Enclosure material

Polyamide

Terminals

2.5 mm², flexible

Lens

Version

∅ 38 mm, colour: red, yellow, green, blue and clear

Mechanical data

Degree of protection

IP66

Material

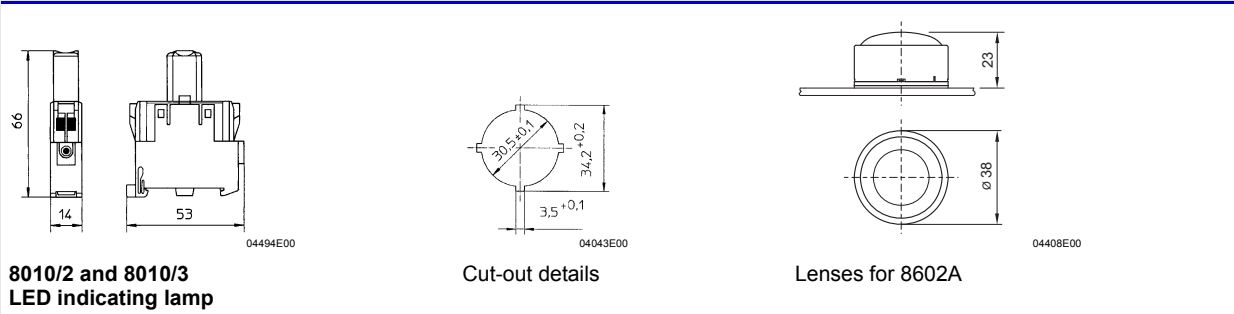
Polyamide

LED Indicating Lamp

Series 8010



Dimensional Drawings (All Dimensions in mm) - Subject to Alterations



We reserve the right to make alterations to the technical data, weights, dimensions, designs and products available without notice. The illustrations cannot be considered binding.

Representante oficial de:



[Argentina – Uruguay – Paraguay – Bolivia – Ecuador.]



Calle 49 N° 5764 - Villa Ballester (B1653AOX) - Prov. de Buenos Aires - ARGENTINA
Tel: (+54 11) 4768-4242 / Fax: (+54 11) 4849-1212
Mail: ventas@nakase.com.ar / Web: www.nakase.com.ar

