

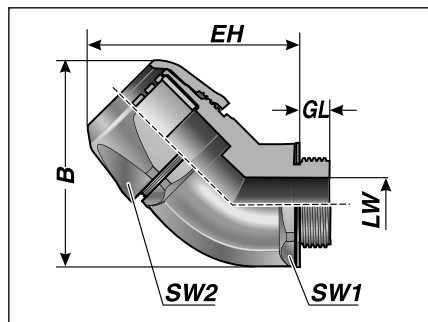
Racor para mangueras m-top

Tipo VW 45° (rosca de plástico)

- De -40 a +110 °C
Brevemente +140 °C
- Poliamida
- V0
- IP 68 hasta 6 bar (IP 69K)

Racor acodado para mangueras con rosca de plástico.

- Insertar la manguera → Apretar la parte superior → Listo
- Montaje seguro puesto que el racor está motado por completo.
No se necesitan más piezas
- A prueba de vibraciones gracias a la tuerca de racor encastrable
- Sujeción de toda la circunferencia de la manguera, con lo cual se obtiene la máxima resistencia a la rotura
- Elevada estanqueidad de grado IP 68 hasta 6 bar (IP69K) sin piezas adicionales
- Fácil control del montaje correcto de la manguera



VW 45°

Tipo	Nº de pedido	Color	Rosca de empalme	Válido para murrflex	EH mm	GL mm	LW mm	B mm	SW 1/2 mm	UE un.
Rosca de plástico métrica										
VW 45 M12-K	83513012	gris	M12x1,5	M12 / P9	38,0	12,0	7,2	36,0	21/21	50
VW 45 M12-K	83513052	negro	M12x1,5	M12 / P9	38,0	12,0	7,2	36,0	21/21	50
VW 45 M16-K	83513014	gris	M16x1,5	M16 / P11	45,0	12,0	10,5	43,0	27/27	50
VW 45 M16-K	83513054	negro	M16x1,5	M16 / P11	45,0	12,0	10,5	43,0	27/27	50
VW 45 M20-K	83513016	gris	M20x1,5	M20 / P16	56,0	13,0	14,6	52,0	34/34	50
VW 45 M20-K	83513056	negro	M20x1,5	M20 / P16	56,0	13,0	14,6	52,0	34/34	50
VW 45 M25-K	83513018	gris	M25x1,5	M25 / P21	65,0	13,0	18,7	65,0	41/41	25
VW 45 M25-K	83513058	negro	M25x1,5	M25 / P21	65,0	13,0	18,7	65,0	41/41	25
VW 45 M32-K	83513020	gris	M32x1,5	M32 / P29	77,0	14,0	25,5	79,0	50/50	25
VW 45 M32-K	83513060	negro	M32x1,5	M32 / P29	77,0	14,0	25,5	79,0	50/50	25
VW 45 M40-K	83513022	gris	M40x1,5	M40 / P36	90,0	17,0	33,0	95,0	60/60	25
VW 45 M40-K	83513062	negro	M40x1,5	M40 / P36	90,0	17,0	33,0	95,0	60/60	25
VW 45 M50-K	83513024	gris	M50x1,5	M50 / P48	105,0	17,0	42,0	115,0	75/75	10
VW 45 M50-K	83513064	negro	M50x1,5	M50 / P48	105,0	17,0	42,0	115,0	75/75	10
Rosca de plástico Pg										
VW 45 P9-K	83513412	gris	Pg 9	M12 / P9	38,0	12,0	7,2	36,0	21/21	50
VW 45 P9-K	83513452	negro	Pg 9	M12 / P9	38,0	12,0	7,2	36,0	21/21	50
VW 45 P11-K	83513414	gris	Pg 11	M16 / P11	45,0	12,0	10,5	43,0	27/27	50
VW 45 P11-K	83513454	negro	Pg 11	M16 / P11	45,0	12,0	10,5	43,0	27/27	50
VW 45 P16-K	83513416	gris	Pg 16	M20 / P16	56,0	13,0	14,6	52,0	34/34	50
VW 45 P16-K	83513456	negro	Pg 16	M20 / P16	56,0	13,0	14,6	52,0	34/34	50
VW 45 P21-K	83513418	gris	Pg 21	M25 / P21	65,0	13,0	18,7	65,0	41/41	25
VW 45 P21-K	83513458	negro	Pg 21	M25 / P21	65,0	13,0	18,7	65,0	41/41	25
VW 45 P29-K	83513420	gris	Pg 29	M32 / P29	77,0	14,0	25,5	79,0	50/50	25



Racor para mangueras m-top

Tipo VW 45° (rosca de plástico)

Tipo	Nº de pedido	Color	Rosca de empalme	Válido para murrflex	EH mm	GL mm	LW mm	B mm	SW 1/2 mm	UE un.
VW 45 P29-K	83513460	negro	Pg 29	M32 / P29	77,0	14,0	25,5	79,0	50/50	25
VW 45 P36-K	83513422	gris	Pg 36	M40 / P36	90,0	17,0	33,0	95,0	60/60	25
VW 45 P36-K	83513462	negro	Pg 36	M40 / P36	90,0	17,0	33,0	95,0	60/60	25
VW 45 P48-K	83513424	gris	Pg 48	M50 / P48	105,0	17,0	42,0	115,0	75/75	10
VW 45 P48-K	83513464	negro	Pg 48	M50 / P48	105,0	17,0	42,0	115,0	75/75	10
Rosca de plástico NPT										
VW 45 NPT 3/8"-K	83513810	gris	3,8"	M16 / P11	45,0	12,0	10,5	43,0	25/25	50
VW 45 NPT 3/8"-K	83513850	negro	3,8"	M16 / P11	45,0	12,0	10,5	43,0	25/25	50
VW 45 NPT 1/2"-K	83513812	gris	1/2"	M20 / P16	56,0	13,0	14,6	52,0	33/33	50
VW 45 NPT 1/2"-K	83513852	negro	1/2"	M20 / P16	56,0	13,0	14,6	52,0	33/33	50
VW 45 NPT 3/4"-K	83513814	gris	3/4"	M25 / P21	65,0	13,0	18,7	65,0	41/41	25
VW 45 NPT 3/4"-K	83513854	negro	3/4"	M25 / P21	65,0	13,0	18,7	65,0	41/41	25
VW 45 NPT 1"-K	83513816	gris	1"	M32 / P29	77,0	14,0	25,5	79,0	50/50	25
VW 45 NPT 1"-K	83513856	negro	1"	M32 / P29	77,0	14,0	26,0	79,0	50/50	25
VW 45 NPT 1 1/4"-K	83513818	gris	1 1/4"	M40 / P36	90,0	17,0	33,0	95,0	60/60	25
VW 45 NPT 1 1/4"-K	83513858	negro	1 1/4"	M40 / P36	90,0	17,0	33,0	95,0	60/60	25
VW 45 NPT 2"-K	83513820	gris	2"	M50 / P48	105,0	17,0	42,0	115,0	75/75	10
VW 45 NPT 2"-K	83513860	negro	2"	M50 / P48	105,0	17,0	42,0	115,0	75/75	10



Representante oficial de:



[Argentina – Colombia – Ecuador – Bolivia – Paraguay.]



Calle 49 N° 5764 - Villa Ballester (B1653AOX) - Prov. de Buenos Aires - ARGENTINA
Tel: (+54 11) 4768-4242 / Fax: (+54 11) 4849-1212
Mail: ventas@nakase.com.ar / Web: www.nakase.com.ar

