



Racor para mangueras m-tec

Tipo EH

De -40 a +110 °C
Brevemente +140 °C

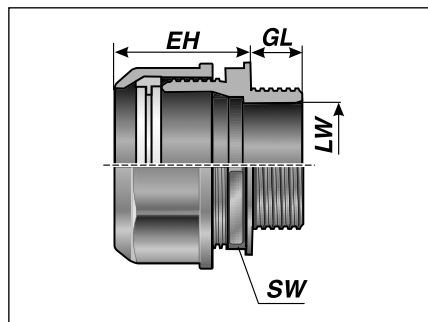
Poliamida, POM

V0

IP 65

Racor recto para mangueras con rosca de plástico.

- Montaje seguro puesto que el racor está motado por completo. No se necesitan más piezas
- Resistencia a la rotura elevada gracias al anillo de apriete integrado
- Alto grado de protección IP 65 sin piezas adicionales
- No se necesita ninguna herramienta para abrirlo



EH

Tipo	Nº de pedido	Color	Rosca de empalme	Válido para Murrflex	EH mm	GL mm	LW mm	SW mm	UE un.
Ejecución métrica									
EH-M12x1,5 / 9	83501412	gris	M12x1,5	M12 / P9	26,0	13,0	8,0	19	50
EH-M12x1,5 / 9	83501452	negro	M12x1,5	M12 / P9	26,0	13,0	8,0	19	50
EH-M12x1,5 / 11	83501416	gris	M12x1,5	M16 / P11	26,0	13,0	8,0	22	50
EH-M12x1,5 / 11	83501456	negro	M12x1,5	M16 / P11	26,0	13,0	8,0	22	50
EH-M16x1,5 / 9	83501414	gris	M16x1,5	M12 / P9	26,0	13,0	11,0	19	50
EH-M16x1,5 / 9	83501454	negro	M16x1,5	M12 / P9	26,0	13,0	11,0	19	50
EH-M16x1,5 / 11	83501418	gris	M16x1,5	M16 / P11	26,0	13,0	11,0	22	50
EH-M16x1,5 / 11	83501458	negro	M16x1,5	M16 / P11	26,0	13,0	11,0	22	50
EH-M20x1,5 / 13,5	83501419	gris	M20x1,5	DN 13	26,0	14,0	15,0	27	50
EH-M20x1,5 / 13,5	83501459	negro	M20x1,5	DN 13	26,0	14,0	15,0	27	50
EH-M20x1,5 / 16	83501420	gris	M20x1,5	M20 / P16(S)	26,0	14,0	15,0	27	50
EH-M20x1,5 / 16	83501460	negro	M20x1,5	M20 / P16(S)	26,0	14,0	15,0	27	50
EH-M25x1,5 / 21	83501422	gris	M25x1,5	M25 / P21(S)	33,0	10,0	21,0	37	50
EH-M25x1,5 / 21	83501462	negro	M25x1,5	M25 / P21(S)	33,0	10,0	21,0	37	50
EH-M32x1,5 / 29	83501424	gris	M32x1,5	M32 / P29(S)	33,0	10,0	27,0	45	25
EH-M32x1,5 / 29	83501464	negro	M32x1,5	M32 / P29(S)	33,0	10,0	27,0	45	25
EH-M40x1,5 / 36	83501426	gris	M40x1,5	M40 / P36(S)	44,0	15,0	35,0	55	25
EH-M40x1,5 / 36	83501466	negro	M40x1,5	M40 / P36(S)	44,0	15,0	35,0	55	25
EH-M50x1,5 / 48	83501428	gris	M50x1,5	M50 / P48(S)	50,0	17,0	44,0	65	10
EH-M50x1,5 / 48	83501468	negro	M50x1,5	M50 / P48(S)	50,0	17,0	44,0	65	10
Ejecución Pg									
EH-Pg 07	83501010	gris	Pg 07	M10 / P7	26,0	8,0	8,5	19	50
EH-Pg 07	83501050	negro	Pg 07	M10 / P7	26,0	8,0	8,5	19	50
EH-Pg 07 / 09	83501028	gris	Pg 07	M12 / P9	26,0	8,0	8,5	19	50

Racor para mangueras m-tec

Tipo EH

Tipo	Nº de pedido	Color	Rosca de empalme	Válido para Murrflex	EH mm	GL mm	LW mm	SW mm	UE un.
EH-Pg 07 / 09	83501068	negro	Pg 07	M12 / P9	26,0	8,0	8,5	19	50
EH-Pg 09	83501012	gris	Pg 09	M12 / P9	26,0	8,0	11,0	19	50
EH-Pg 09	83501052	negro	Pg 09	M12 / P9	26,0	8,0	11,0	19	50
EH-Pg 09 / 11	83501030	gris	Pg 09	M16 / P11	26,0	8,0	10,5	22	50
EH-Pg 09 / 11	83501070	negro	Pg 09	M16 / P11	26,0	8,0	10,5	22	50
EH-Pg 09 / 13,5	83501032	gris	Pg 09	DN 13	26,0	8,0	10,5	27	50
EH-Pg 09 / 13,5	83501072	negro	Pg 09	DN 13	26,0	8,0	10,5	27	50
EH-Pg 09 / 16	83501034	gris	Pg 09	M20 / P16	26,0	8,0	10,5	27	50
EH-Pg 09 / 16	83501074	negro	Pg 09	M20 / P16	26,0	8,0	10,5	27	50
EH-Pg 11	83501014	gris	Pg 11	M16 / P11	26,0	8,0	14,0	22	50
EH-Pg 11	83501054	negro	Pg 11	M16 / P11	26,0	8,0	14,0	22	50
EH-Pg 11 / 09	83501036	gris	Pg 11	M12 / P09	26,0	8,0	14,0	19	50
EH-Pg 11 / 09	83501076	negro	Pg 11	M12 / P09	26,0	8,0	14,0	19	50
EH-Pg 11 / 13,5	83501038	gris	Pg 11	M12 / P09	26,0	8,0	14,0	27	50
EH-Pg 11 / 13,5	83501078	negro	Pg 11	M12 / P09	26,0	8,0	14,0	27	50
EH-Pg 11 / 16	83501040	gris	Pg 11	M20 / P16	26,0	8,0	14,0	27	50
EH-Pg 11 / 16	83501080	negro	Pg 11	M20 / P16	26,0	8,0	14,0	27	50
EH-Pg 13,5	83501015	gris	Pg 13,5	DN 13	26,0	8,0	14,0	27	50
EH-Pg 13,5	83501055	negro	Pg 13,5	DN 13	26,0	8,0	14,0	27	50
EH-Pg 13,5 / 16	83501016	gris	Pg 13,5	M20 / P16	26,0	8,0	14,0	27	50
EH-Pg 13,5 / 16	83501056	negro	Pg 13,5	M20 / P16	26,0	8,0	14,0	27	50
EH-Pg 16	83501018	gris	Pg 16	M20 / P16	26,0	8,0	17,0	27	50
EH-Pg 16	83501058	negro	Pg 16	M20 / P16	26,0	8,0	17,0	27	50
EH-Pg 16 / 13,5	83501042	gris	Pg 16	DN 13	26,0	8,0	17,0	27	50
EH-Pg 16 / 13,5	83501082	negro	Pg 16	DN 13	26,0	8,0	17,0	27	50
EH-Pg 21	83501020	gris	Pg 21	M25 / P21(S)	34,0	10,0	23,0	38	50
EH-Pg 21	83501021	gris	Pg 21	M25 / P21(S)	34,0	15,0	23,0	38	50
EH-Pg 21	83501060	negro	Pg 21	M25 / P21(S)	34,0	10,0	23,0	38	50
EH-Pg 21	83501061	negro	Pg 21	M25 / P21(S)	34,0	15,0	23,0	38	50
EH-Pg 29	83501022	gris	Pg 29	M32 / P29(S)	34,0	10,0	31,0	46	25
EH-Pg 29	83501062	negro	Pg 29	M32 / P29(S)	34,0	10,0	31,0	46	25
EH-Pg 36	83501024	gris	Pg 36	M40 / P36(S)	44,0	15,0	40,0	55	25
EH-Pg 36	83501064	negro	Pg 36	M40 / P36(S)	44,0	15,0	40,0	55	25
EH-Pg 48	83501026	gris	Pg 48	M50 / P48(S)	50,0	15,0	51,0	65	10
EH-Pg 48	83501066	negro	Pg 48	M50 / P48(S)	50,0	15,0	51,0	65	10
Ejecución NPT									
EH-NPT 3/8" / 11	83501211	gris	3/8"	M16 / P11	26,0	14,0	12,0	22	50
EH-NPT 3/8" / 11	83501251	negro	3/8"	M16 / P11	26,0	14,0	12,0	22	50
EH-NPT 1/2" / 16	83501210	gris	1/2"	M20 / P16(S)	26,0	13,0	14,0	27	50
EH-NPT 1/2" / 16	83501250	negro	1/2"	M20 / P16(S)	26,0	13,0	14,0	27	50
EH-NPT 3/4" / 21	83501212	gris	3/4"	M25 / P21(S)	31,0	14,0	19,0	37	50
EH-NPT 3/4" / 21	83501252	negro	3/4"	M25 / P21(S)	31,0	14,0	19,0	37	50
EH-NPT 1" / 29	83501214	gris	1"	M32 / P29(S)	32,0	19,0	26,0	46	25
EH-NPT 1" / 29	83501254	negro	1"	M32 / P29(S)	32,0	19,0	26,0	46	25
EH-NPT 1 1/4" / 36	83501216	gris	1 1/4"	M40 / P36(S)	44,0	18,0	35,0	55	25
EH-NPT 1 1/4" / 36	83501256	negro	1 1/4"	M40 / P36(S)	44,0	18,0	35,0	55	25
EH-NPT 2" / 48	83501218	gris	2"	M50 / P48(S)	50,0	18,0	51,0	65	10
EH-NPT 2" / 48	83501258	negro	2"	M50 / P48(S)	50,0	18,0	51,0	65	10

Representante oficial de:



[Argentina – Colombia – Ecuador – Bolivia – Paraguay.]



Calle 49 N° 5764 - Villa Ballester (B1653AOX) - Prov. de Buenos Aires - ARGENTINA
Tel: (+54 11) 4768-4242 / Fax: (+54 11) 4849-1212
Mail: ventas@nakase.com.ar / Web: www.nakase.com.ar

