

Exact8, NPN, 6-way with pre-wired homerun cable

6-way, 4-pole
for NPN signals 24 V DC

Image

Vicarious picture

Approvals**Contact layout**

Contact 1	(+)
Contact 2	(N/C)/(S2)
Contact 3	(-)
Contact 4	(N/O)/(S1)
LED display	LED (green): Power LED (yellow): signal (S1) LED (white): Signal (S2)

Form

86111

Technical Data

Protection	IP65 and IP67 when plugged and screwed down (EN 60529)
Operating voltage	24 V DC
Operating current per contact (40 °C)	max. 1,76A
Signal per port	2
Total current	max. 10 A
Housing	Plastic, flame retardant
Temperature range	-20...+80 °C, depending on cable quality

You can chose from the following variants:

	Art.-No.
Exact8, 6xM8, 4-pole, moulded cable 5.0m PUR/PVC 12x0.34+2x0.75 NPN-LED	8000-86111-3860500
Exact8, 6xM8, 4-pole, moulded cable 5.0m PUR/PVC 12x0.34+2x0.75 NPN-LED	8000-86111-3861000
Exact8, 6xM8, 4pole, moulded cable 5.0m PUR 12x0,34+2x0,75	8000-86111-3890500
Exact8, 6xM8, 4pole, moulded cable 10.0m PUR 12x0,34+2x0,75	8000-86111-3891000

All data on this data sheet was compiled carefully.

Liability regarding correctness, completeness, and actuality is limited to gross negligence. Created: 06/12

Comments

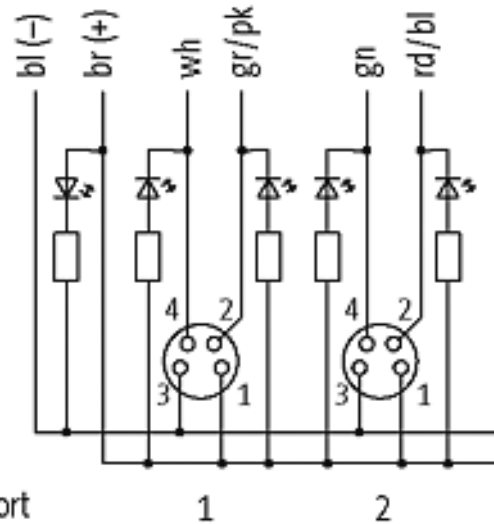
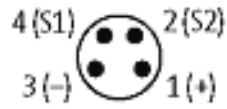
Further cable lengths on request.

Plastic housings with good resistance against chemicals and oils.

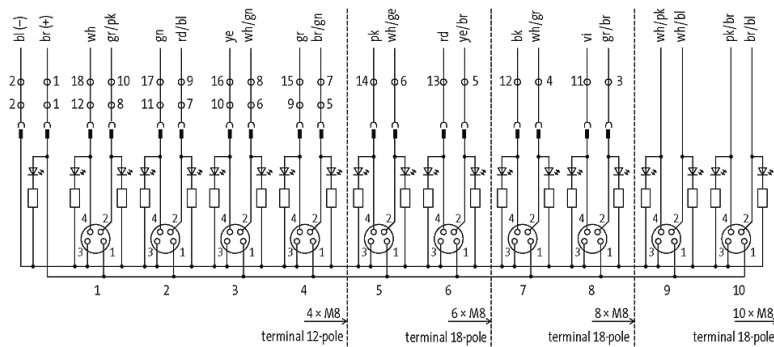
The resistance to aggressive media should be individually tested for your application. Further details on request.

Contact layout

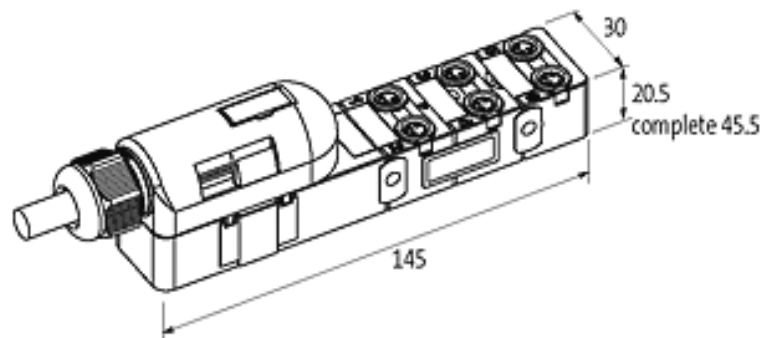
M8-Females 4-pole



Circuit diagram



Dimension drawing



Representante oficial de:



[Argentina – Uruguay – Paraguay – Bolivia – Colombia – y Perú.]



Calle 49 N° 5764 - Villa Ballester (B1653AOX) - Prov. de Buenos Aires - ARGENTINA
Tel: (+54 11) 4768-4242 / Fax: (+54 11) 4849-1212
Mail: ventas@nakase.com.ar / Web: www.nakase.com.ar

