

**Exact8, NPN, 4-way with pre-wired homerun cable**

4-way, 3-pole  
for NPN signals 24 V DC

**Image**

Vicarious picture

**Approvals****Contact layout**

Contact 1	(+)
Contact 3	(-)
Contact 4	(N/O)/(S1)
LED display	LED (green): Power    LED (yellow): signal (S1)

**Form**

84011

**Technical Data**

Protection	IP65 and IP67 when plugged and screwed down (EN 60529)
Operating voltage	24 V DC
Operating current per contact (40 °C)	max. 1,76A
Signal per port	1
Total current	max. 10 A
Housing	Plastic, flame retardant
Temperature range	-20...+80 °C, depending on cable quality

**You can chose from the following variants:**

	<b>Art.-No.</b>
Exact8, 4xM8, 3-pol, moulded cable 5.0m PUR 4x0,34+2x0,75 NPN-LED's	8000-84011-3340500
Exact8, 4xM8, 3-pol, moulded cable 10.0m PUR 4x0,34+2x0,75 NPN-LED's	8000-84011-3341000
Exact8, 4xM8, 3-pole, moulded cable 5.0m PUR/PVC 4x0.34+2x0.75 NPN-LED	8000-84011-3370500
Exact8, 4xM8, 3-pole, moulded cable 10.0m PUR/PVC 4x0.34+2x0.75 NPN-LED	8000-84011-3371000

**Comments**

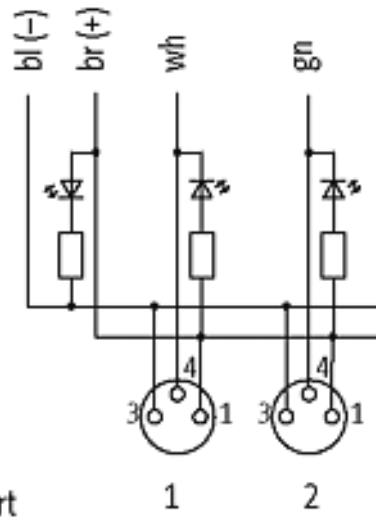
Further cable lengths on request.  
Plastic housings with good resistance against chemicals and oils.  
The resistance to aggressive media should be individually tested for your application. Further details on request.

All data on this data sheet was compiled carefully.

Liability regarding correctness, completeness, and actuality is limited to gross negligence. Created: 06/12

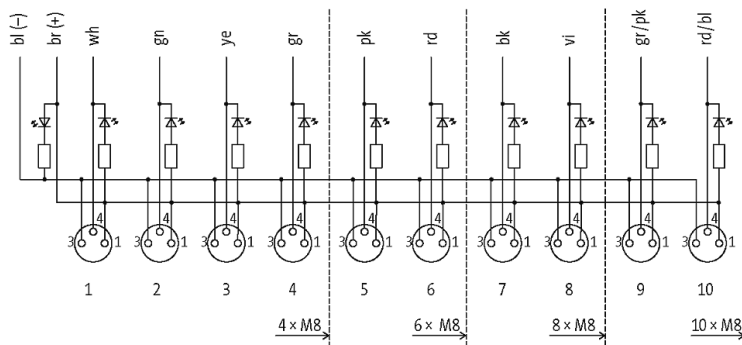
Contact layout

M8-Females 3-pole

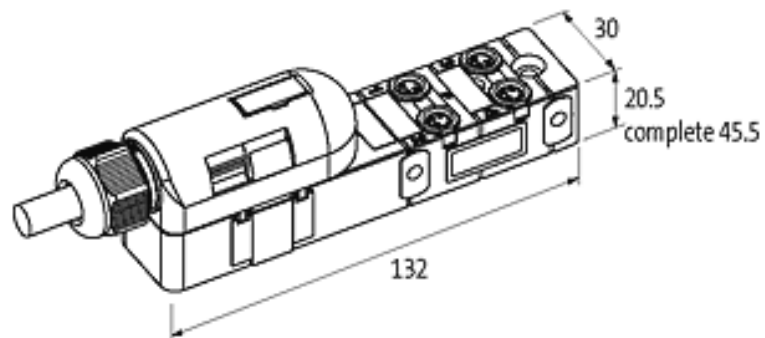


for 1 signal per port

Circuit diagram



Dimension drawing



Representante oficial de:



[Argentina – Uruguay – Paraguay – Bolivia – Colombia – y Perú.]



Calle 49 N° 5764 - Villa Ballester (B1653AOX) - Prov. de Buenos Aires - ARGENTINA  
Tel: (+54 11) 4768-4242 / Fax: (+54 11) 4849-1212  
Mail: [ventas@nakase.com.ar](mailto:ventas@nakase.com.ar) / Web: [www.nakase.com.ar](http://www.nakase.com.ar)

