

MVP-Metall, 8xM12, 5pole, M23 19pol. con. connector exit frontside

8-way, 5-pole, DIAGNOSTIC
 M23 plug connection
 19-pole used
 Operating current 2 A per port

Image

Vicarious picture

Contact layout

Contact 1	(+)
Contact 2	Port 1...7: (N/O)/(S2); Port 8: diagnostic
Contact 3	(-)
Contact 4	(N/O)/(S1)
Contact 5	(Earth)
LED display	LED (green): Power LED (yellow): Signal (S1/S2) LED (red): Error

Technical Data

Operating voltage	24 V DC, (EN 61131-2)
Current consumption module	max. 35 mA
Diagnostic output	active high, max. load 25 mA, M23 - PIN 18
Total current	max. 10 A
Housing	zinc die casting, matte nickel plated
Protection	IP65, IP67, IP68 when plugged and screwed down (EN 60529)
Temperature range	-20...+60 °C

Technical data M12 port

Operating current (contact 3)	max. 2 A (shutoff 2.3...2.7 A)
Inrush capacity	max. 1470 µF
Short-circuit and overload protection	switched positive
Required power supply with max. ports	>= 20 A
Locking of ports	Screw thread M12 × 1 mm

Description

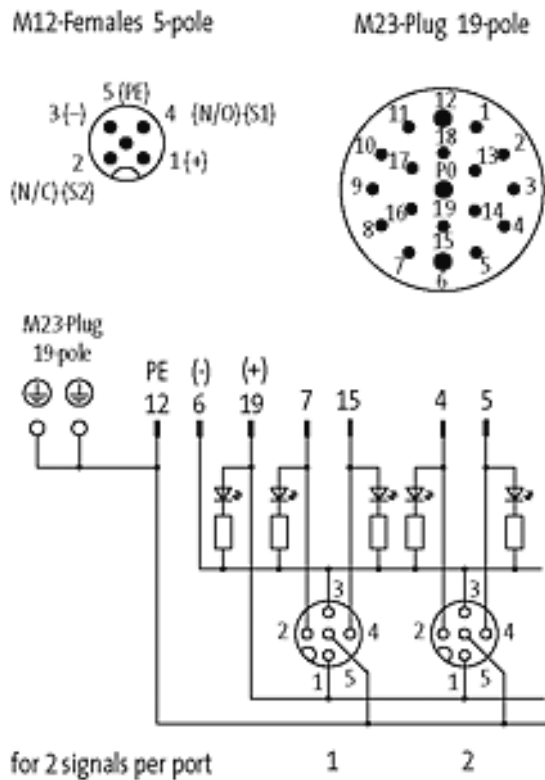
All M12 ports are current monitored regarding 0 V total current (contact 3), and are switched off in case of overload or short-circuit (self-resetting). Operating voltage remains the same. In case of a fault the DIAGNOSTIC signal ?active high? to the PLC (M23 PIN 18) drops from 18 V DC to 24 V. The operator can immediately react by analysing the diagnostic signal. - less downtime - easy trouble-shooting due to red LED ?ERROR? and red LED at the plug position.

All data on this data sheet was compiled carefully.

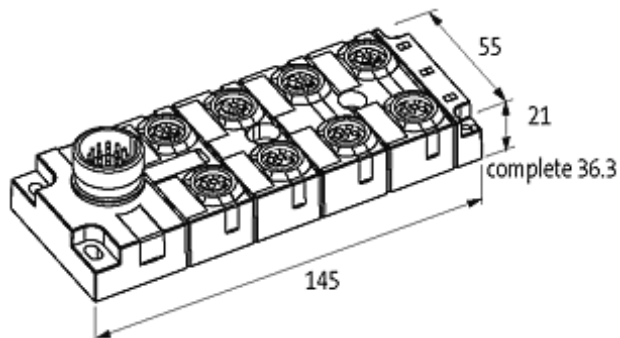
Liability regarding correctness, completeness, and actuality is limited to gross negligence. Created: 06/12

Commercial data	
Net weight	450
Net weight	450
Weight unit	gram
Basic unit	pc.
Customs tariff number	85369010
Unit (piece)	1
Limited value	1
Accessories	Art.-No.
V2A-baseplate MVP Metal 8-port	996066
Earth connection set MVP Metal	996064
Grounding strip 4mm ² 100mm for M3 Tinned copper	4000-71001-0410003
Grounding strip accessories Screwing set M3	4000-71003-0101403

Contact layout



Dimension drawing



Representante oficial de:



[Argentina – Uruguay – Paraguay – Bolivia – Colombia – y Perú.]



Calle 49 N° 5764 - Villa Ballester (B1653AOX) - Prov. de Buenos Aires - ARGENTINA
Tel: (+54 11) 4768-4242 / Fax: (+54 11) 4849-1212
Mail: ventas@nakase.com.ar / Web: www.nakase.com.ar

