

Exact12, 8xM12, 5-pole, cap, plug. screw-term.

8-way, 5-pole
Form PNP
Screw plug-in terminals

Image



Vicarious picture

Approvals



Contact layout

Contact 1	(+)
Contact 2	(N/C)/(S2)
Contact 3	(-)
Contact 4	(N/O)/(S1)
Contact 5	(Earth)
LED display	LED (green): Power LED (yellow): signal (S1) LED (white): Signal (S2)

Technical Data

Operating voltage	24 V DC
Operating current per contact (40 °C)	max. 4 A
Connection	Screw plug-in terminals max. 1.5 mm ² (AWG 16)
Total current	max. 8 A
Housing	Plastic, flame retardant
Protection	IP65 and IP67 when plugged and screwed down (EN 60529)
Temperature range	-20...+60 °C

Technical data M12 port

Locking of ports	Screw thread M12 × 1 mm
------------------	-------------------------

All data on this data sheet was compiled carefully.

Liability regarding correctness, completeness, and actuality is limited to gross negligence. Created: 06/12

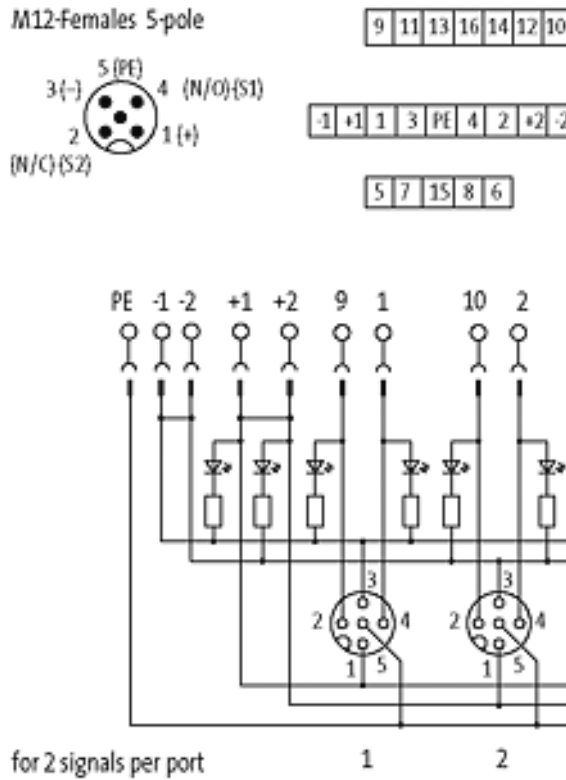
Commercial data

Net weight	204
Net weight	204
Weight unit	gram
Basic unit	pc.
Customs tariff number	85369010
Unit (piece)	1
Limited value	1

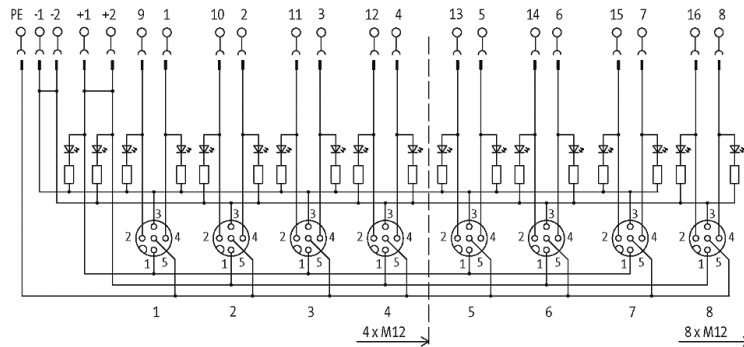
Comments

Plastic housings with good resistance against chemicals and oils.
The resistance to aggressive media should be individually tested for your application. Further details on request.

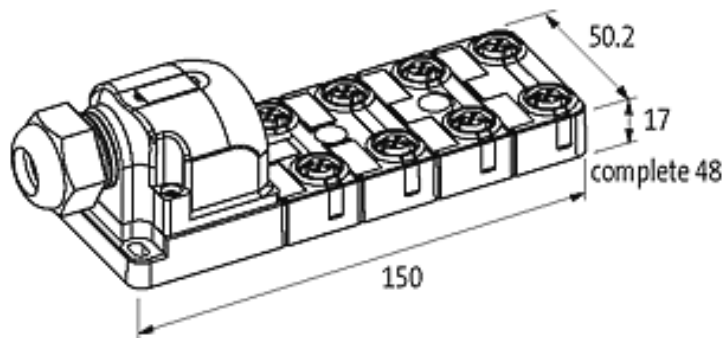
Contact layout

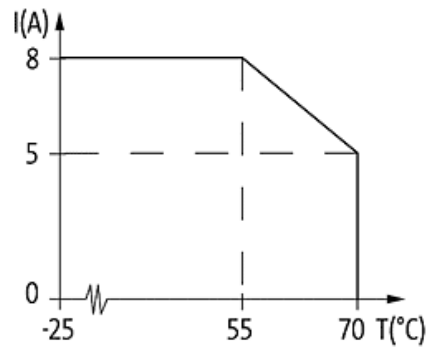


Circuit diagram



Dimension drawing



De-rating curve

Representante oficial de:



[Argentina – Uruguay – Paraguay – Bolivia – Colombia – y Perú.]



Calle 49 N° 5764 - Villa Ballester (B1653AOX) - Prov. de Buenos Aires - ARGENTINA
Tel: (+54 11) 4768-4242 / Fax: (+54 11) 4849-1212
Mail: ventas@nakase.com.ar / Web: www.nakase.com.ar

