

Exact12, without LED, 4-way, 4-pole, with pre-wired homerun cable

4-pole
without LED, up to 125 V AC/DC

Image



Vicarious picture

Approvals



Contact layout

Contact 1	(+)
Contact 3	(-)
Contact 4	(N/O)/(S1)
Contact 5	(Earth)

Form

84412

Technical Data

Operating voltage	24 V DC
Operating current per contact (40 °C)	max. 4 A
Total current	max. 10 A
Housing	Plastic, flame retardant
Protection	IP65 and IP67 when plugged and screwed down (EN 60529)
Temperature range	-20...+60 °C

Technical data M12 port

Locking of ports	Screw thread M12 × 1 mm
------------------	-------------------------

You can chose from the following variants:

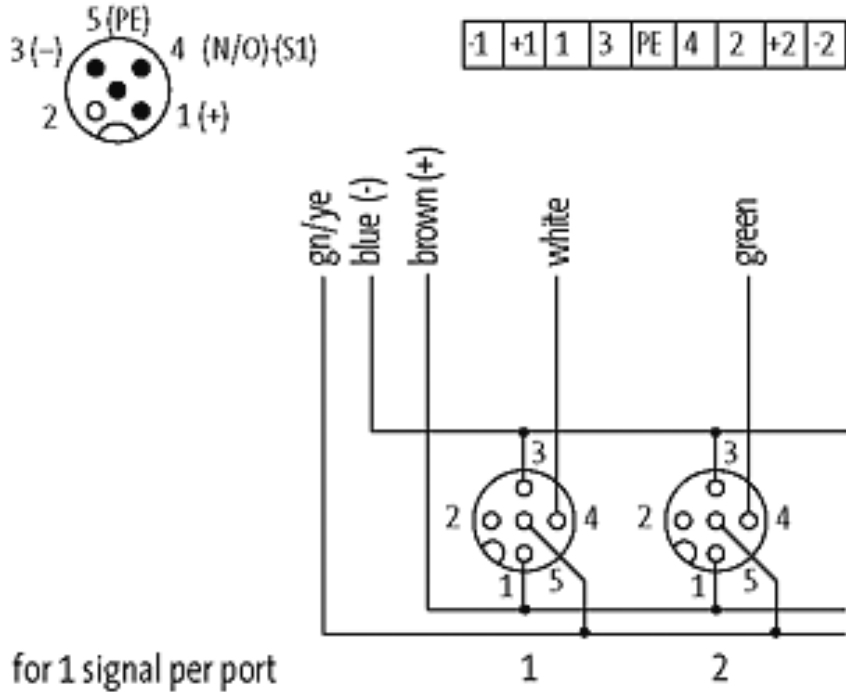
	Art.-No.
Exact12, 4xM12, 4-pole, moulded cable 5.0m PUR/PVC 4x0,34+3x0,75	8000-84412-3330500
Exact12, 4xM12, 4-pole, moulded cable 10.0m PUR/PVC 4x0,34+3x0,75	8000-84412-3331000

Comments

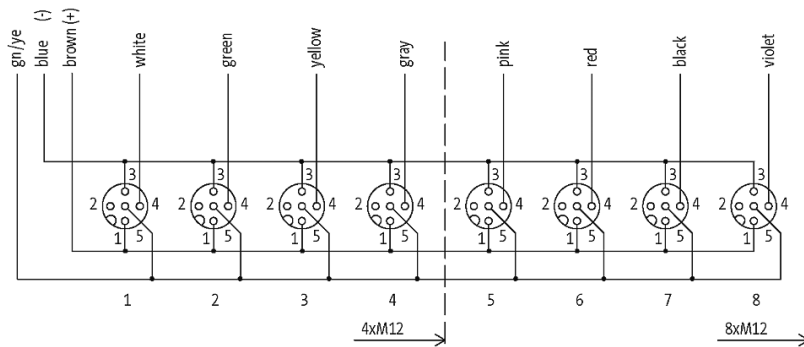
Further cable lengths on request.
Plastic housings with good resistance against chemicals and oils.
The resistance to aggressive media should be individually tested for your application. Further details on request.

Contact layout

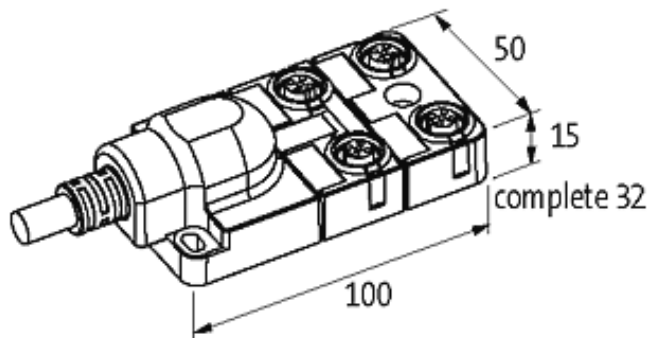
M12-Females 4-pole

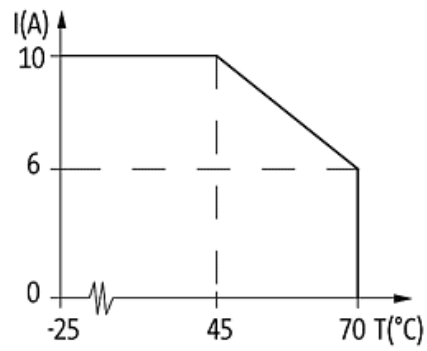


Circuit diagram



Dimension drawing



De-rating curve

Representante oficial de:



[Argentina – Uruguay – Paraguay – Bolivia – Colombia – y Perú.]



Calle 49 N° 5764 - Villa Ballester (B1653AOX) - Prov. de Buenos Aires - ARGENTINA
Tel: (+54 11) 4768-4242 / Fax: (+54 11) 4849-1212
Mail: ventas@nakase.com.ar / Web: www.nakase.com.ar

