

Exact12, NPN, 4-way, 4-pole, with pre-wired homerun cable

4-pole
for NPN signals 24 V DC

Image



Vicarious picture

Approvals



Contact layout

Contact 1	(+)
Contact 3	(-)
Contact 4	(N/O)/(S1)
Contact 5	(Earth)
LED display	LED (green): Power LED (yellow): signal (S1)

Form

84411

Technical Data

Operating voltage	24 V DC
Operating current per contact (40 °C)	max. 4 A
Total current	max. 10 A
Housing	Plastic, flame retardant
Protection	IP65 and IP67 when plugged and screwed down (EN 60529)
Temperature range	-20...+60 °C

Technical data M12 port

Locking of ports	Screw thread M12 × 1 mm
------------------	-------------------------

You can chose from the following variants:

	Art.-No.
Exact12, 4xM12, 4-pole, moulded cable 5.0m PUR/PVC 4x0,34+3x0,75	8000-84411-3330500
Exact12, 4xM12, 4-pole, moulded cable 10.0m PUR/PVC 4x0,34+3x0,75	8000-84411-3331000

Comments

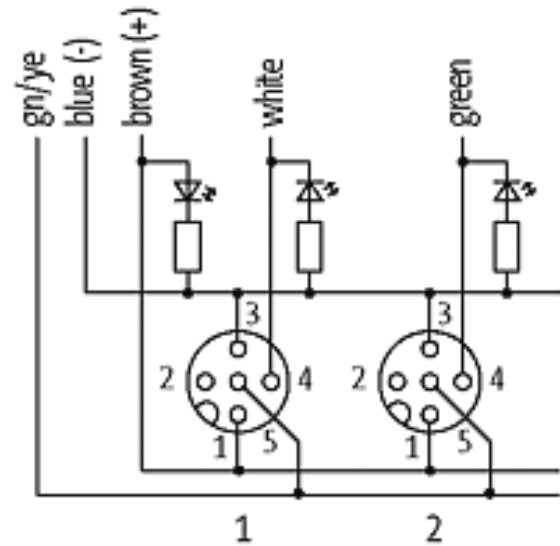
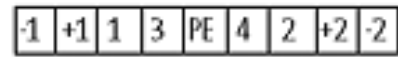
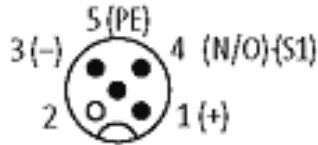
Further cable lengths on request.
Plastic housings with good resistance against chemicals and oils.
The resistance to aggressive media should be individually tested for your application. Further details on request.

All data on this data sheet was compiled carefully.

Liability regarding correctness, completeness, and actuality is limited to gross negligence. Created: 06/12

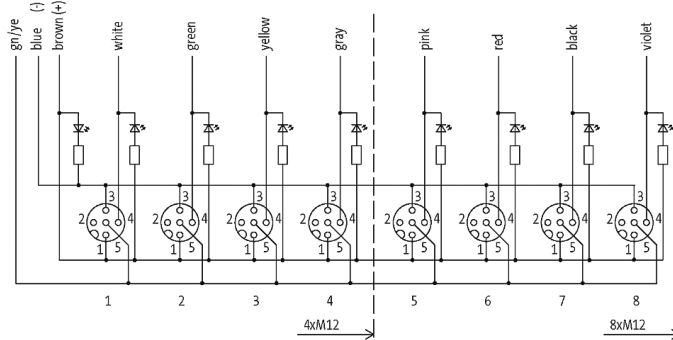
Contact layout

M12-Females 4-pole

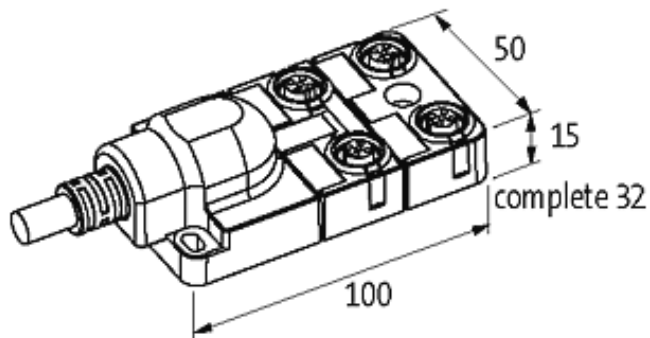


for 1 signal per port

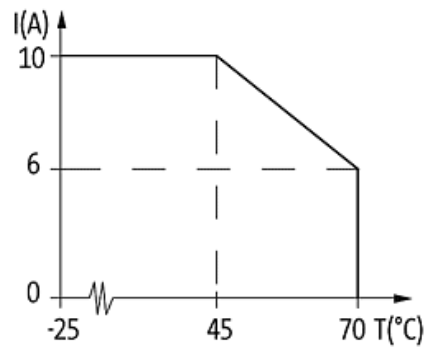
Circuit diagram



Dimension drawing



De-rating curve



Representante oficial de:



[Argentina – Uruguay – Paraguay – Bolivia – Colombia – y Perú.]



Calle 49 N° 5764 - Villa Ballester (B1653AOX) - Prov. de Buenos Aires - ARGENTINA
Tel: (+54 11) 4768-4242 / Fax: (+54 11) 4849-1212
Mail: ventas@nakase.com.ar / Web: www.nakase.com.ar

