

Exact12, 4xM12, 5 pole Conn.M12 12pole

4-way, 5-pole
M12 plug connection
12-pole used
with LED for digital PNP-signals 24 V DC

Image

Vicarious picture

Approvals**Contact layout**

Contact 1	(+)
Contact 3	(-)
Contact 4	(N/O)/(S1)
Contact 5	(Earth)
LED display	LED (green): Power LED (yellow): signal (S1) LED (white): Signal (S2)

Technical Data

Operating voltage	24 V DC
Operating current per contact (40 °C)	max. 1.5 A
Total current	max. 1.5 A
Housing	Plastic, flame retardant
Protection	IP65 and IP67 when plugged and screwed down (EN 60529)
Temperature range	-20...+70 °C

Technical data M12 port

Locking of ports	Screw thread M12 × 1 mm
------------------	-------------------------

All data on this data sheet was compiled carefully.

Liability regarding correctness, completeness, and actuality is limited to gross negligence. Created: 06/12

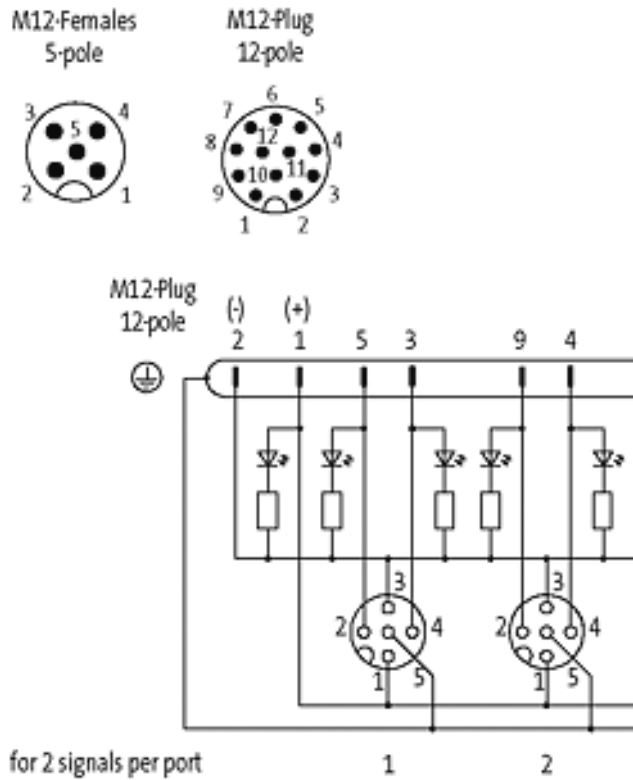
Commercial data

Net weight	105
Net weight	105
Weight unit	gram
Basic unit	pc.
Customs tariff number	85369010
Unit (piece)	1
Limited value	1

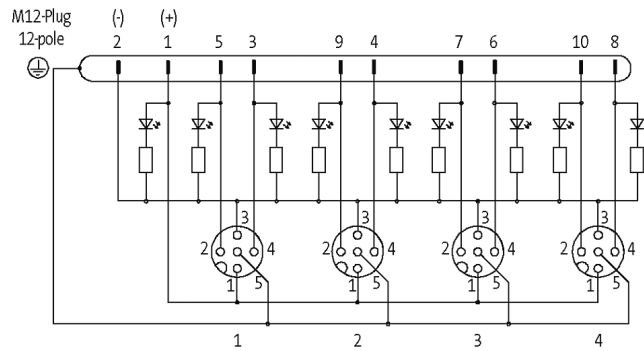
Comments

Plastic housings with good resistance against chemicals and oils.
The resistance to aggressive media should be individually tested for your application. Further details on request.

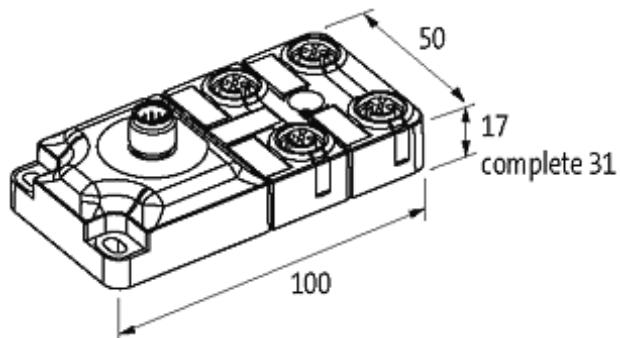
Contact layout



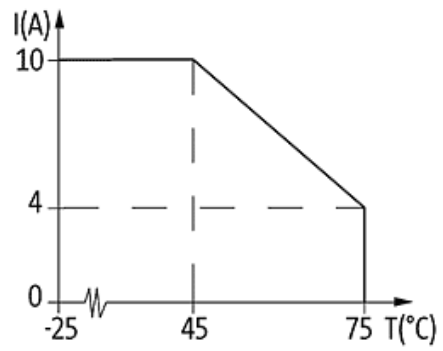
Circuit diagram



Dimension drawing



De-rating curve



Representante oficial de:



[Argentina – Uruguay – Paraguay – Bolivia – Colombia – y Perú.]



Calle 49 N° 5764 - Villa Ballester (B1653AOX) - Prov. de Buenos Aires - ARGENTINA
Tel: (+54 11) 4768-4242 / Fax: (+54 11) 4849-1212
Mail: ventas@nakase.com.ar / Web: www.nakase.com.ar

