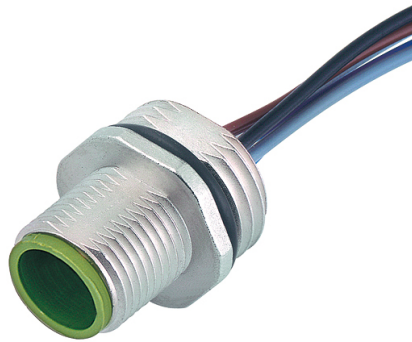


**M12 male receptacle A-cod. front mount PP-wires 4x0,34 0,2m**

Flange M12 male  
with multi-strand wire  
4-pole

**Image**

Vicarious picture

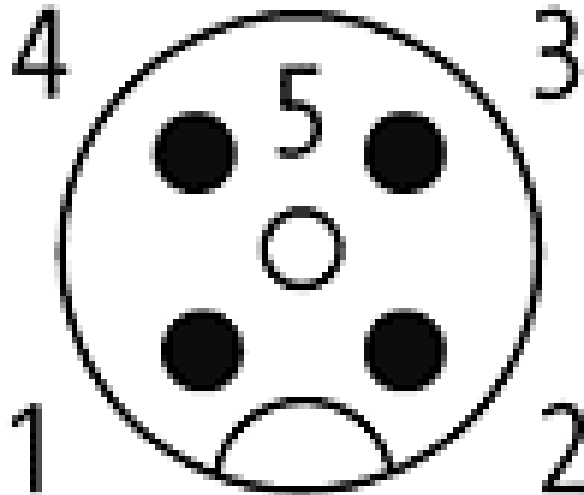
<b>Form</b>	13501
<b>Technical Data</b>	
Operating voltage	max. 250 V AC/DC
Operating current per contact (40 °C)	max. 4 A
Locking of ports	screw thread M12 × 1 mm (recommended torque = 0.6 Nm) self-securing
Protection	IP65 and IP67 when plugged and screwed down (EN 60529)
Temperature range	-25...+85 °C
<b>Cable</b>	
No./diameter of wires	4 × 0.34 mm <sup>2</sup>
Wire isolation	PP (br, wh, bl, bk)
C-track properties	Max. Externe Vorsicherung 20 A (T) in der Gebäudeinstallation
Outer diameter	approx. 3.0 mm
Bend radius (mobile)	10 x outer diameter
Temperature range (fixed)	-40...+80 °C
<b>Commercial data</b>	
Net weight	15
Net weight	15
Weight unit	gram
Basic unit	pc.
Customs tariff number	85444290
Unit (piece)	1
Limited value	1
<b>Accessories</b>	Hexagonal nut M16x1,5 for receptacle
	<b>Art.-No.</b> 7000-13581-0000000

All data on this data sheet was compiled carefully.

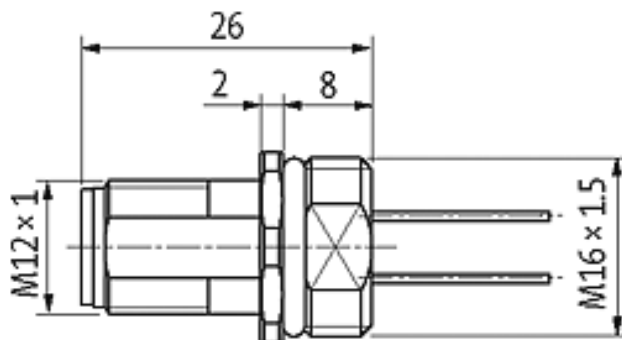
Liability regarding correctness, completeness, and actuality is limited to gross negligence. Created: 06/12

Contact layout

# Male



Dimension drawing



Representante oficial de:



[Argentina – Uruguay – Paraguay – Bolivia – Colombia – y Perú.]



Calle 49 N° 5764 - Villa Ballester (B1653AOX) - Prov. de Buenos Aires - ARGENTINA  
Tel: (+54 11) 4768-4242 / Fax: (+54 11) 4849-1212  
Mail: [ventas@nakase.com.ar](mailto:ventas@nakase.com.ar) / Web: [www.nakase.com.ar](http://www.nakase.com.ar)

