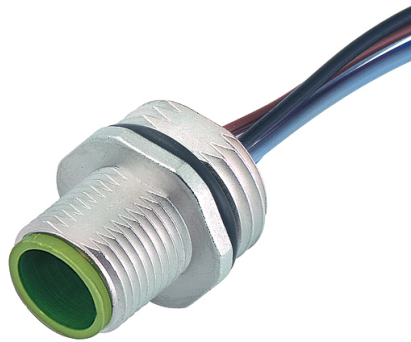


M12 male receptacle A-cod. rear mount PP-wires 5x0,34 0,2m

Flange M12 male
with multi-strand wire
5-pole

Image

Vicarious picture

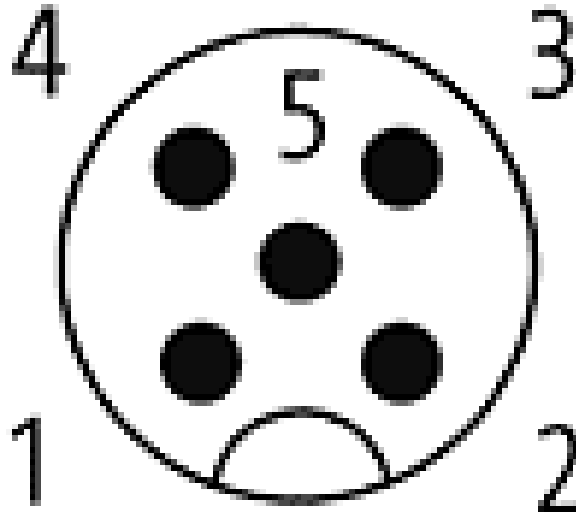
Form	135215
Technical Data	
Operating voltage	max. 125 V AC/DC
Operating current per contact (40 °C)	max. 4 A
Locking of ports	screw thread M12 × 1 mm (recommended torque = 0.6 Nm) self-securing
Protection	IP65 and IP67 when plugged and screwed down (EN 60529)
Temperature range	-25...+85 °C
Cable	
No./diameter of wires	5 × 0.34 mm ²
Wire isolation	PP (br, wh, bl, bk, gr)
C-track properties	Max. Externe Vorsicherung 20 A (T) in der Gebäudeinstallation
Outer diameter	approx. 3.4 mm
Bend radius (mobile)	10 x outer diameter
Temperature range (fixed)	-40...+80 °C
Commercial data	
Net weight	16
Net weight	16
Weight unit	gram
Basic unit	pc.
Customs tariff number	85444290
Unit (piece)	1
Limited value	1
Accessories	Hexagonal nut M16x1,5 for receptacle
	Art.-No. 7000-13581-0000000

All data on this data sheet was compiled carefully.

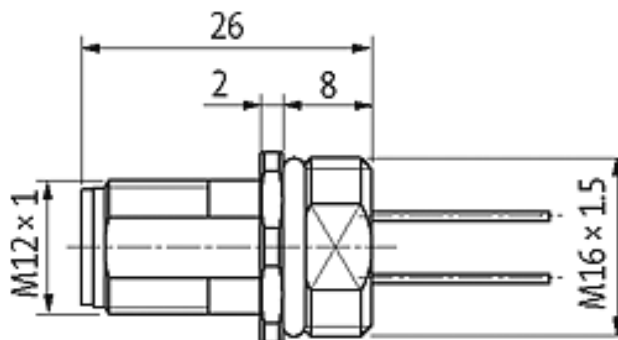
Liability regarding correctness, completeness, and actuality is limited to gross negligence. Created: 06/12

Contact layout

Male



Dimension drawing



Representante oficial de:



[Argentina – Uruguay – Paraguay – Bolivia – Colombia – y Perú.]



Calle 49 N° 5764 - Villa Ballester (B1653AOX) - Prov. de Buenos Aires - ARGENTINA
Tel: (+54 11) 4768-4242 / Fax: (+54 11) 4849-1212
Mail: ventas@nakase.com.ar / Web: www.nakase.com.ar

