

MOSA M12 female 90° 3LED field-wireable (IDC) pin assignment 1,2,3,4

Female 90°

4-pole with 3 × LED (PNP)

Connection diameter: 0.25...0.5 mm²

Art.-No. 7005 - M12 Lite - (plastic hexagonal screw) on request

Image

Vicarious picture

Approvals**Express shipments****Form**

12691

Technical Data

Operating voltage	24 V DC ±25 %
Operating current per contact (40 °C)	max. 4 A
Connection diameter	0.25...0.5 mm ² (conductor diameter ≥ 0.1 mm)
Clamping range (cable diameter)	4...5.1 mm
Wire isolation	PVC, PP, TPE
Outer wire diameter	1.2...1.6 mm
Protection	IP65 and IP67 when plugged and screwed down (EN 60529)
Temperature range	-25...+85 °C

Commercial data

Net weight	24
Net weight	24
Weight unit	gram
Basic unit	pc.
Customs tariff number	85369010
Unit (piece)	1
Limited value	1

Comments

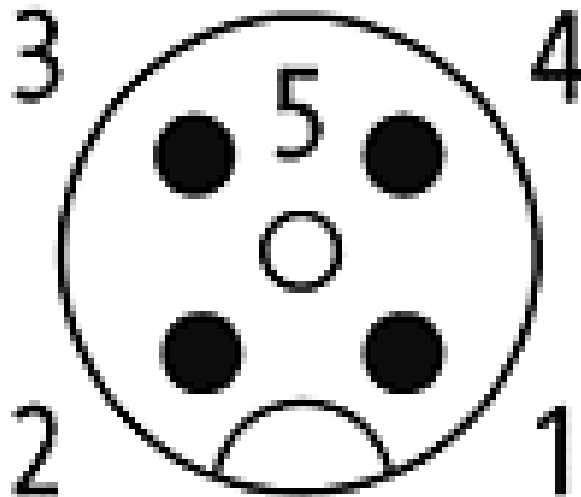
The resistance to aggressive media should be individually tested for your application. Further details on request.

All data on this data sheet was compiled carefully.

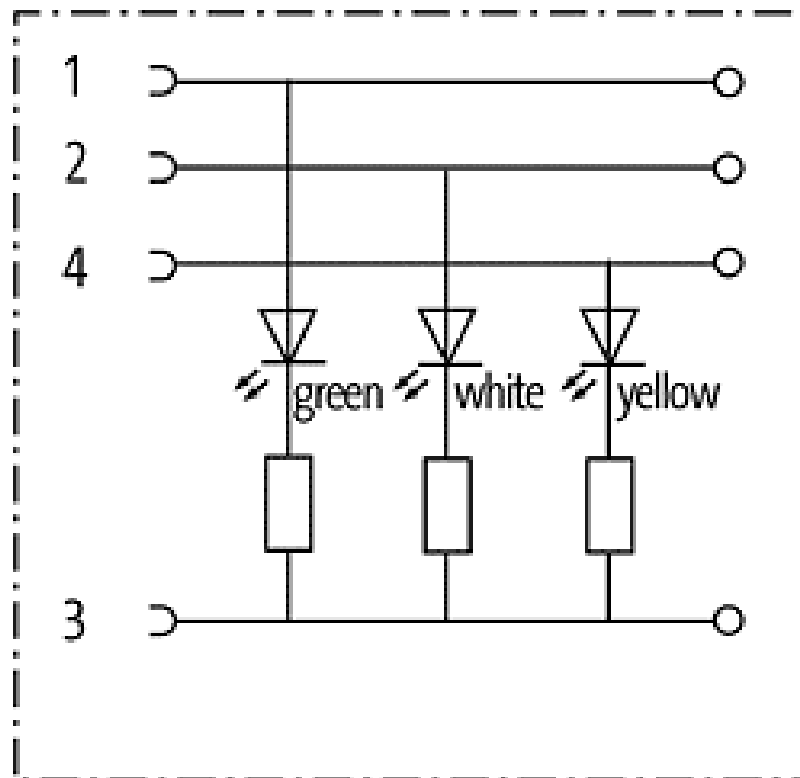
Liability regarding correctness, completeness, and actuality is limited to gross negligence. Created: 06/12

Contact layout

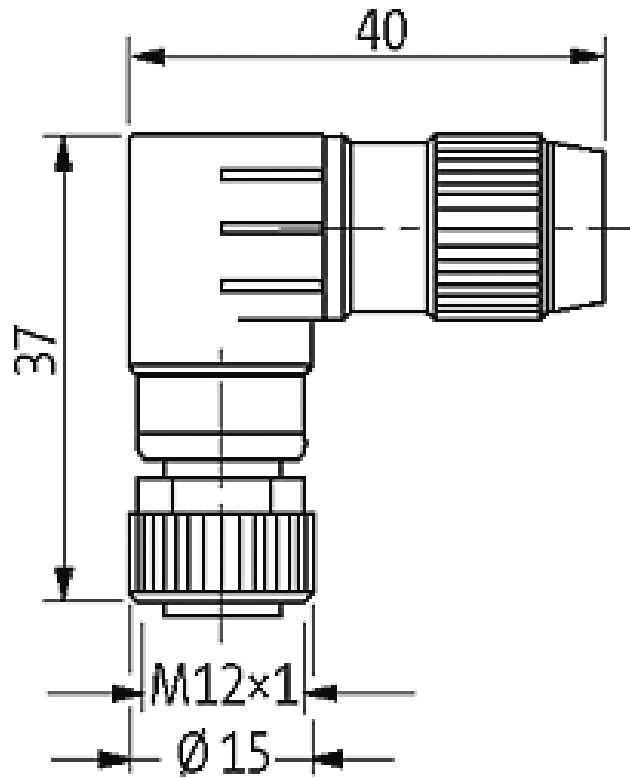
Female



Circuit diagram



Dimension drawing



Representante oficial de:



[Argentina – Uruguay – Paraguay – Bolivia – Colombia – y Perú.]



Calle 49 N° 5764 - Villa Ballester (B1653AOX) - Prov. de Buenos Aires - ARGENTINA
Tel: (+54 11) 4768-4242 / Fax: (+54 11) 4849-1212
Mail: ventas@nakase.com.ar / Web: www.nakase.com.ar

