

MOSA M8 female straight field-wireable (IDC) Replaced by 3827643

Female straight
3-pole
insulation displacement technology
Connection diameter: 0.25...0.5 mm²

Image

Vicarious picture

Approvals**Express shipments****Form**

08361

Technical Data

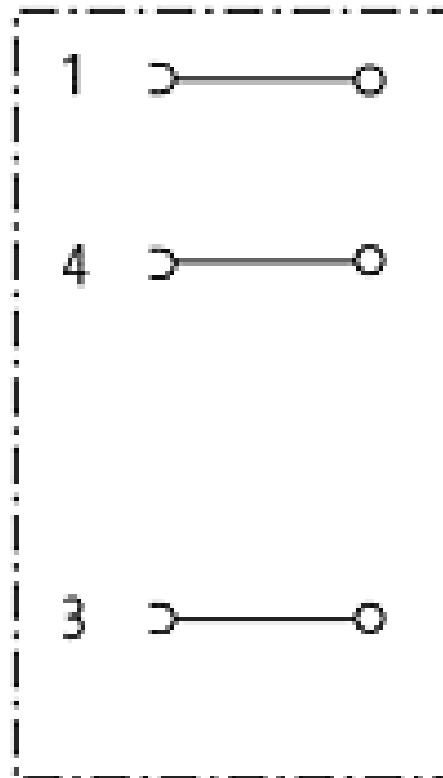
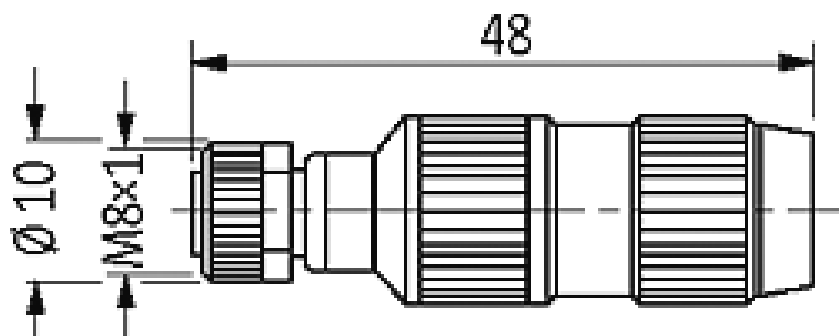
| | |
|---------------------------------------|---|
| Operating voltage | max. 32 V AC/DC |
| Operating current per contact (40 °C) | max. 4 A |
| Connection diameter | 0.25...0.5 mm ² (conductor diameter \geq 0.1 mm) |
| Clamping range (cable diameter) | 4...5.1 mm |
| Wire isolation | PVC, PP, TPE |
| Outer wire diameter | 1.2...1.6 mm |
| Protection | IP65 and IP67 when plugged and screwed down (EN 60529) |
| Temperature range | -25...+85 °C |

Commercial data

| | |
|-----------------------|----------|
| Net weight | 15 |
| Net weight | 15 |
| Weight unit | gram |
| Basic unit | pc. |
| Customs tariff number | 85369010 |
| Unit (piece) | 1 |
| Limited value | 1 |

All data on this data sheet was compiled carefully.

Liability regarding correctness, completeness, and actuality is limited to gross negligence. Created: 06/12

Circuit diagram**Dimension drawing**

Representante oficial de:



[Argentina – Uruguay – Paraguay – Bolivia – Colombia – y Perú.]



Calle 49 N° 5764 - Villa Ballester (B1653AOX) - Prov. de Buenos Aires - ARGENTINA
Tel: (+54 11) 4768-4242 / Fax: (+54 11) 4849-1212
Mail: ventas@nakase.com.ar / Web: www.nakase.com.ar

