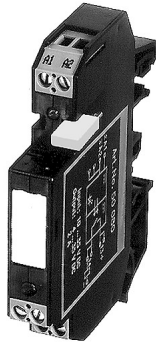


AMMDS 20-47/2 Opto-coupler module IN: 35 VDC - OUT: 280 VAC / 2A

Triac 2 A
24 V DC
with minus plug link

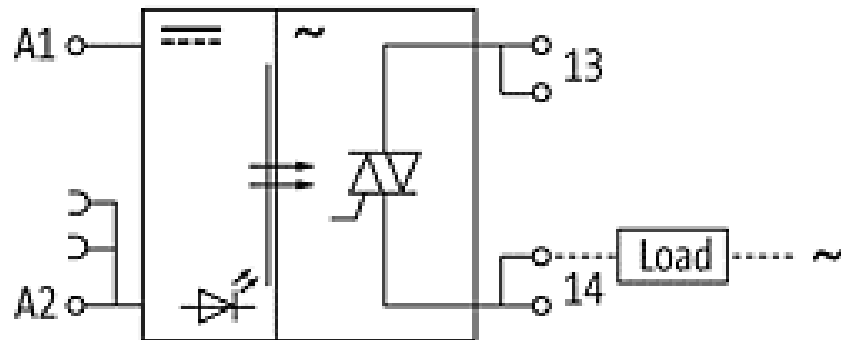
Image

Vicarious picture

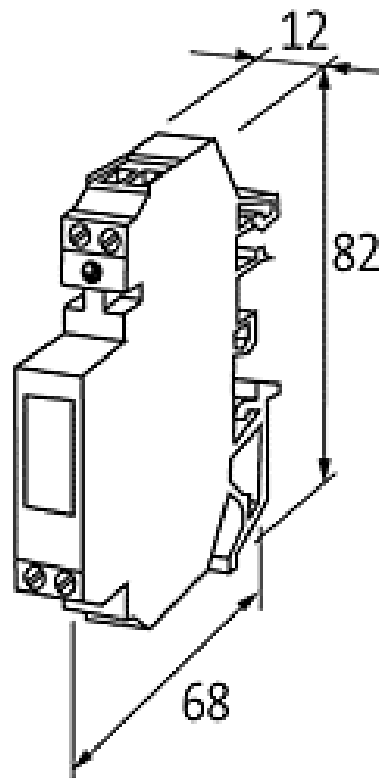
Input	
Voltage range ON	10...35 V DC
Voltage range OFF	0...3 V DC
Operating current	6 mA
LED display	LED (red)
Plug link	Art.-No. 90960 (included)
Output	
Switching current	50 mA...2 A
Switching voltage	24...280 V AC
Saturation voltage (across output)	<= 1 V AC
Leakage current (when output is open)	<= 2 mA
Switching time ON/OFF	10/10 ms
Switching frequency	max. 20/5 Hz (resist./ind.)
General data	
Test isolation voltage	2.5 kV
Temperature range	-20...+60 °C
Housing	Plastic black, flame retardant
Mounting method	DIN-rail mountable TH35 or G32 (EN 60715)
Dimensions H x W x D	82 x 12 x 68 mm
Commercial data	
Net weight	40
Net weight	40
Weight unit	gram
Basic unit	pc.
Customs tariff number	85414090
Unit (piece)	1
Limited value	1

All data on this data sheet was compiled carefully.
Liability regarding correctness, completeness, and actuality is limited to gross negligence. Created: 06/12

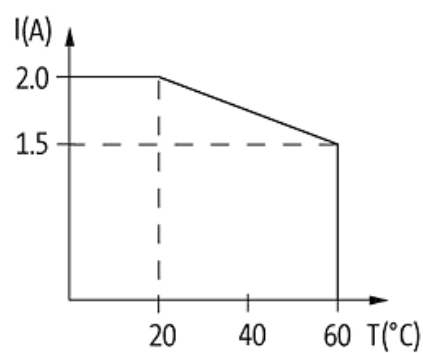
Circuit diagram



Dimension drawing



De-rating curve



Representante oficial de:



[Argentina – Uruguay – Paraguay – Bolivia – Colombia – y Perú.]



Calle 49 N° 5764 - Villa Ballester (B1653AOX) - Prov. de Buenos Aires - ARGENTINA
Tel: (+54 11) 4768-4242 / Fax: (+54 11) 4849-1212
Mail: ventas@nakase.com.ar / Web: www.nakase.com.ar

