

AMMS 20-47/1 Opto-coupler module IN: 53 VDC - OUT: 250 VAC / 1 A

Triac 1 A
24 V DC

Image

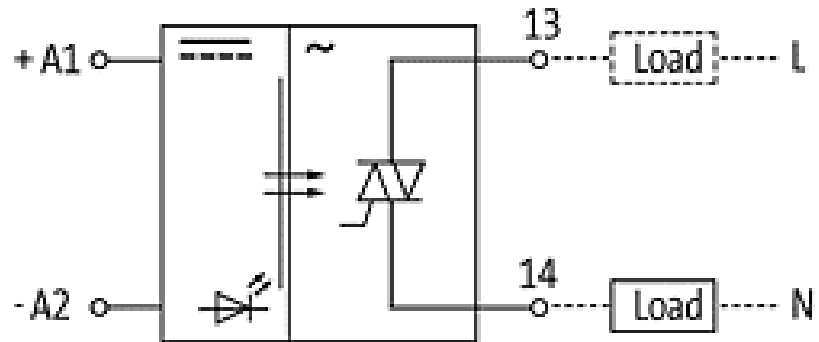
Vicarious picture

Input	
Operating current	10 mA
LED display	LED (red)
Voltage range ON	10...53 V DC
Voltage range OFF	0...3 V DC
Output	
Switching time ON/OFF	10/10 ms
Switching frequency	max. 25 Hz
Switching element	Triac
Switching voltage	24...253 V AC
Switching current	50 mA...1 A
Saturation voltage (across output)	<= 1.3 V AC
Leakage current (when output is open)	<= 5 mA
General data	
Temperature range	-20...+60 °C
Housing	Plastic black, flame retardant
Test isolation voltage	2.5 kV
Mounting method	DIN-rail mountable TH35 or G32 (EN 60715)
Dimensions H x W x D	56 x 12 x 64 mm
Commercial data	
Net weight	30
Net weight	30
Weight unit	gram
Basic unit	pc.
Customs tariff number	85414090
Unit (piece)	1
Limited value	1

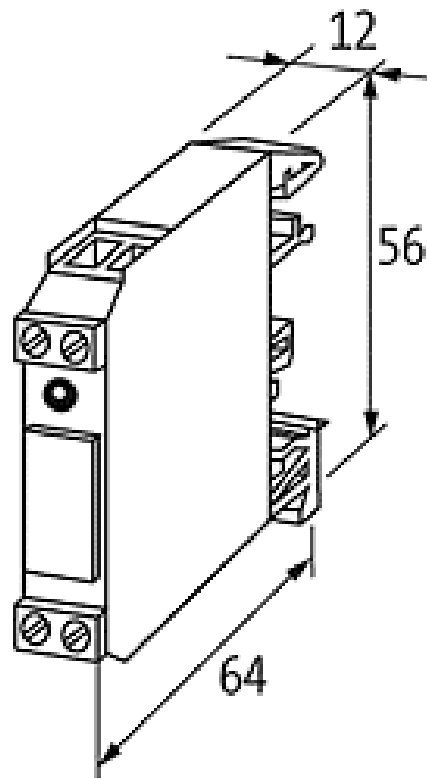
All data on this data sheet was compiled carefully.

Liability regarding correctness, completeness, and actuality is limited to gross negligence. Created: 06/12

Circuit diagram



Dimension drawing



De-rating curve

