

**MIRO Triac 230VAC/1x400VAC-10A IN: 253 VAC - OUT: 400 VAC / 10 A**

Triac 10 A  
230 V AC  
Screw plug-in terminals

**Image**

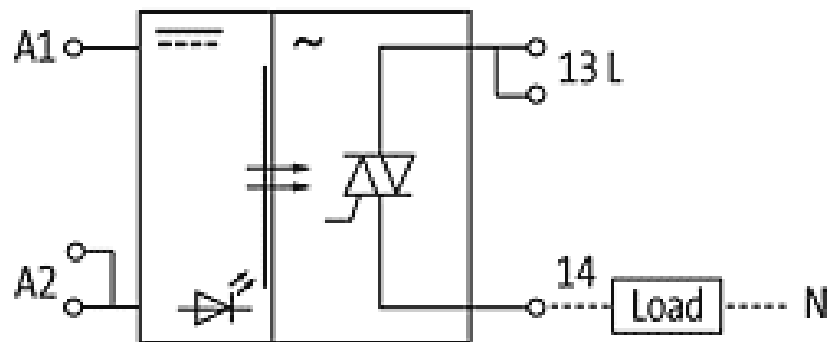
Vicarious picture

<b>Input</b>	
LED display	LED (green)
Voltage range ON	140...253 V AC
Voltage range OFF	0...50 V AC
Control current	approx. 10 mA
Control voltage	230 V AC
<b>Output</b>	
Switching current	100 mA/10 A (no derating)
Switching voltage	12...400 V AC
Saturation voltage (across output)	<= 0.15 V AC
Leakage current (when output is open)	<= 1 mA
Switching time ON/OFF	10/10 ms
Switching frequency	max. 20/1 Hz (resist./ind.)
Surge	70 A
<b>General data</b>	
Temperature range	-20...+60 °C
Housing	Plastic black, flame retardant
Mounting method	DIN-rail mountable (EN 60715)
Dimensions H x W x D x Da	76 x 38 x 80 x 7,5 mm
<b>Commercial data</b>	
Net weight	150
Net weight	150
Weight unit	gram
Basic unit	pc.
Customs tariff number	85414090
Unit (piece)	1
Limited value	1

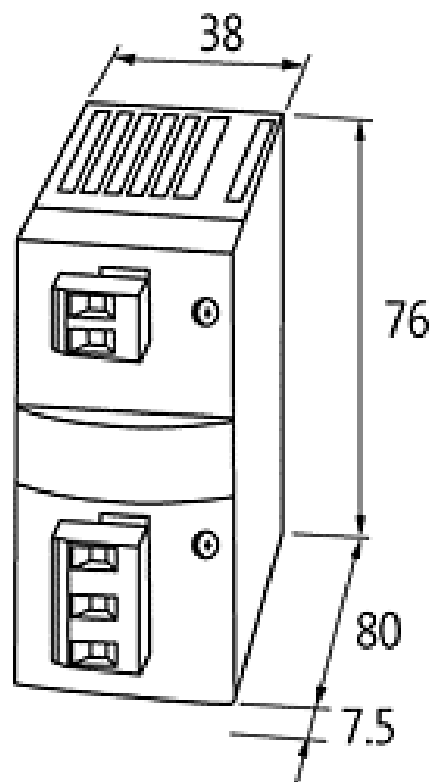
All data on this data sheet was compiled carefully.

Liability regarding correctness, completeness, and actuality is limited to gross negligence. Created: 06/12

## Circuit diagram



## Dimension drawing



Representante oficial de:



[Argentina – Uruguay – Paraguay – Bolivia – Colombia – y Perú.]



Calle 49 N° 5764 - Villa Ballester (B1653AOX) - Prov. de Buenos Aires - ARGENTINA  
Tel: (+54 11) 4768-4242 / Fax: (+54 11) 4849-1212  
Mail: [ventas@nakase.com.ar](mailto:ventas@nakase.com.ar) / Web: [www.nakase.com.ar](http://www.nakase.com.ar)

