

MIRO Triac 3x660VAC-20A 3p IN: 32 VDC - OUT: 660 VAC / 3 x 20 A

Triac 3 × 20 A
24 V DC
Screw terminals

Image



Vicarious picture

Approvals



Input

LED display	LED (yellow)
Voltage range ON	5...32 V DC
Voltage range OFF	0...2.5 V DC
Control current	max. 24 mA
Control voltage	24 V DC

Output

Leakage current (when output is open)	<= 3 mA
Switching time ON/OFF	20/20 ms
Switching current	3 × 20 A
Switching voltage	40...660 V AC
Switching frequency	max. 20/1 Hz (resist./ind.)

General data

Temperature range	-30...+70 °C
Housing	PBT
Mounting method	DIN-rail mountable (EN 60715)
Dimensions H × W × D	102 x 22.5 x 103 mm

Commercial data

Net weight	380
Net weight	380
Weight unit	gram
Basic unit	pc.
Customs tariff number	85414090
Unit (piece)	1
Limited value	1

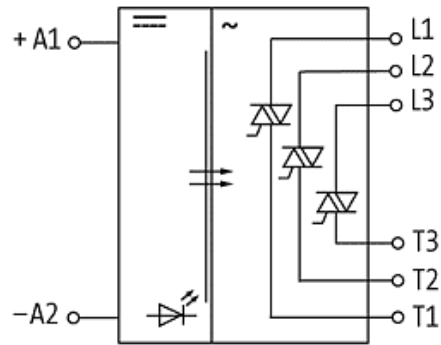
All data on this data sheet was compiled carefully.

Liability regarding correctness, completeness, and actuality is limited to gross negligence. Created: 06/12

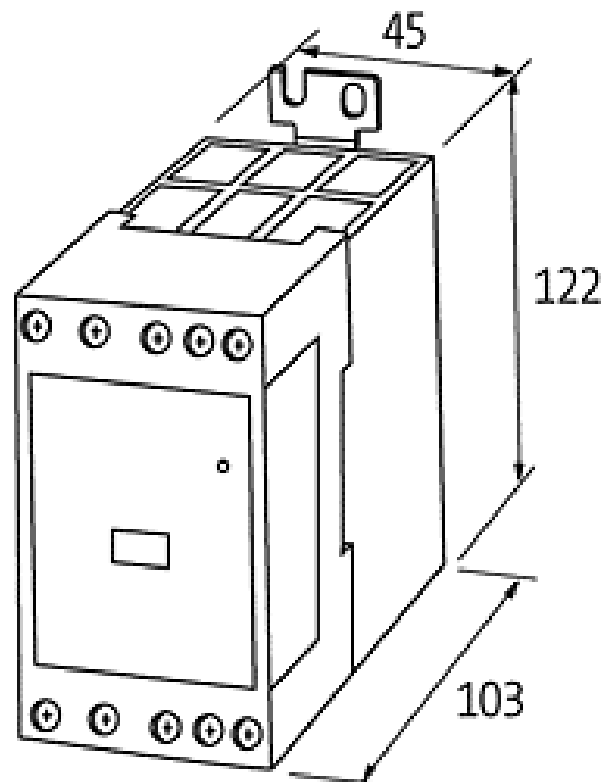
Comments

Inductive loads have to be wired with a suitable suppressor component (preferably Murrelektronik suppression)

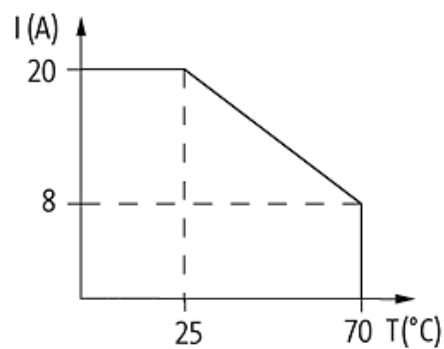
Circuit diagram



Dimension drawing



De-rating curve



Representante oficial de:



[Argentina – Uruguay – Paraguay – Bolivia – Colombia – y Perú.]



Calle 49 N° 5764 - Villa Ballester (B1653AOX) - Prov. de Buenos Aires - ARGENTINA
Tel: (+54 11) 4768-4242 / Fax: (+54 11) 4849-1212
Mail: ventas@nakase.com.ar / Web: www.nakase.com.ar

