

MIRO Triac 3x660VAC-25A 2p IN: 32 VDC - OUT: 660 VAC / 3 x 25 A

Triac 2 x 25 A  
24 V DC  
Screw terminals

## Image



Vicarious picture

## Approvals



## Input

LED display	LED (yellow)
Voltage range ON	5...32 V DC
Voltage range OFF	0...2.5 V DC
Control current	max. 24 mA
Control voltage	24 V DC

## Output

Leakage current (when output is open)	<= 3 mA
Switching time ON/OFF	20/20 ms
Switching current	2 x 25 A
Switching voltage	40...660 V AC
Switching frequency	max. 20/1 Hz (resist./ind.)

## General data

Temperature range	-30...+70 °C
Housing	PBT
Mounting method	DIN-rail mountable (EN 60715)
Dimensions H x W x D	102 x 22.5 x 103 mm

## Commercial data

Net weight	380
Net weight	380
Weight unit	gram
Basic unit	pc.
Customs tariff number	85414090
Unit (piece)	1
Limited value	1

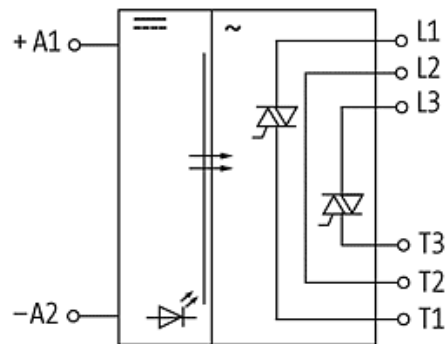
All data on this data sheet was compiled carefully.

Liability regarding correctness, completeness, and actuality is limited to gross negligence. Created: 06/12

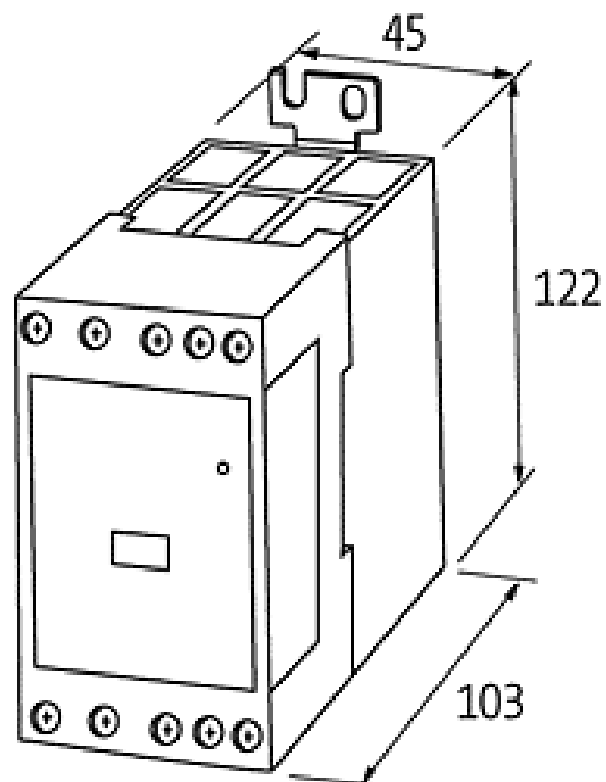
**Comments**

Inductive loads have to be wired with a suitable suppressor component (preferably Murrelektronik suppression)

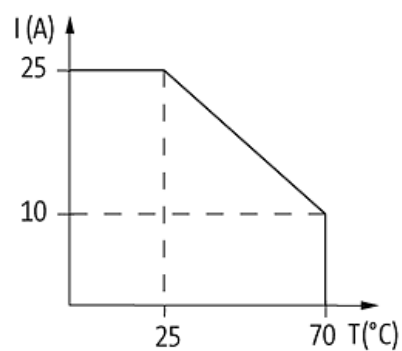
## Circuit diagram



## Dimension drawing



## De-rating curve



Representante oficial de:



[Argentina – Uruguay – Paraguay – Bolivia – Colombia – y Perú.]



Calle 49 N° 5764 - Villa Ballester (B1653AOX) - Prov. de Buenos Aires - ARGENTINA  
Tel: (+54 11) 4768-4242 / Fax: (+54 11) 4849-1212  
Mail: [ventas@nakase.com.ar](mailto:ventas@nakase.com.ar) / Web: [www.nakase.com.ar](http://www.nakase.com.ar)

