

MIR0 6.2 24VDC-250VAC/1A Opto-coupler module IN: 53 VDC - OUT: 250 VAC / 1 A

Triac 1 A
53 V DC
Screw terminals

Image



Vicarious picture

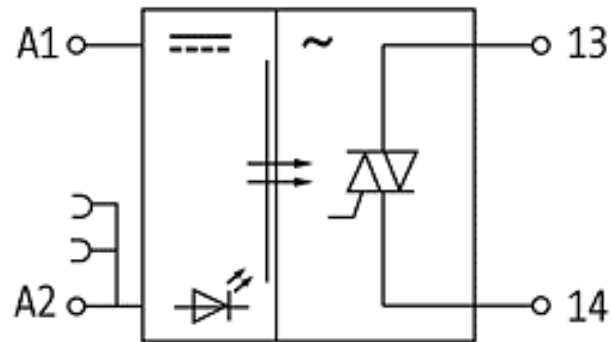
Input	
LED display	LED (yellow)
Voltage range ON	12...53 V DC
Voltage range OFF	0...3 V DC
Control current	12 mA/24 V
Output	
Switching current	10 mA/1 A
Switching voltage	12...250 V AC
Saturation voltage (across output)	<= 1.5 V AC
Leakage current (when output is open)	<= 1 mA
Switching time ON/OFF	10/10 ms
Switching frequency	max. 2 Hz, dependent on suppression
General data	
Test isolation voltage	2.5 kV
Temperature range	0...+60 °C
Housing	Plastic black, flame retardant
Mounting method	DIN-rail mountable (EN 60715)
Dimensions H x W x D	78 x 6.2 x 65 mm
Commercial data	
Net weight	40
Net weight	40
Weight unit	gram
Basic unit	pc.
Customs tariff number	85414090
Unit (piece)	1
Limited value	1

All data on this data sheet was compiled carefully.

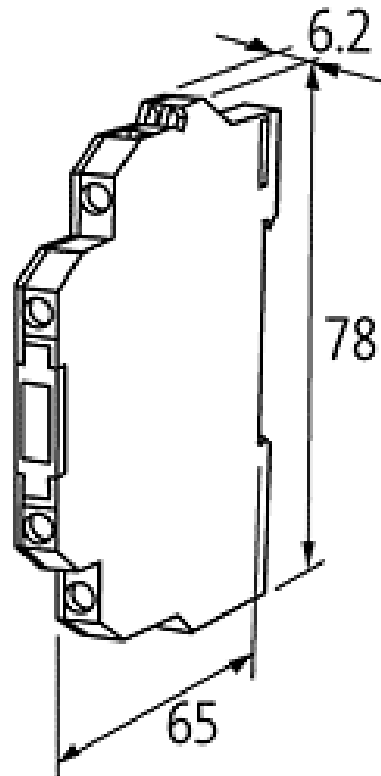
Liability regarding correctness, completeness, and actuality is limited to gross negligence. Created: 06/12

Accessories		Art.-No.
	Wiring accessorie plug link	90961
	Wiring accessorie red spacing 6,2 mm	90976
	Wiring accessorie end cap red	90982
	Wiring accessorie blue spacing 6,2 mm	90975
	Wiring accessorie end cap blue	90980
	Wiring accessorie 16 pole cross-section: 1 mm ²	90977
	Control systems Label plate Miro	90901

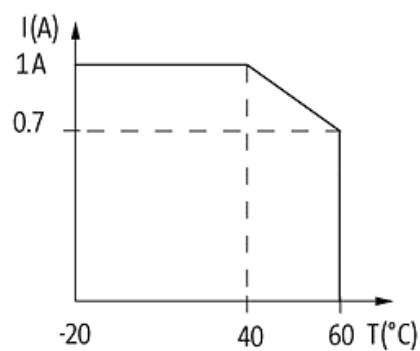
Circuit diagram



Dimension drawing



De-rating curve



Representante oficial de:



[Argentina – Uruguay – Paraguay – Bolivia – Colombia – y Perú.]



Calle 49 N° 5764 - Villa Ballester (B1653AOX) - Prov. de Buenos Aires - ARGENTINA
Tel: (+54 11) 4768-4242 / Fax: (+54 11) 4849-1212
Mail: ventas@nakase.com.ar / Web: www.nakase.com.ar

