

MIRO SAFE Step 24 VAC/DC - 3 N/O contact / 1 N/C contact

for safety mats and safety strips
 3 N/O contacts/1 N/C contact
 5 A
 24 V AC/DC
 Spring clamp plug-in terminals

Image

- Relays positively driven

Vicarious picture

Approvals**Switching capacity according to (EN 60947)**

24 V	AC12;6 A	AC15;-	DC13; 3 A
110 V	AC12;6 A	AC15; 3 A	DC13; 0.22 A
230 V	AC12;6 A	AC15; 3 A	DC13; 0.1 A

Technical Data

Achievable safety category	to 3/Performance level d (EN ISO 13849-1)
Contact material	Ag Sn O2

Input

Input voltage	24 V AC/DC $\pm 10\%$ approx. 200 mA
---------------	---

Output

Switching voltage	max. 250 V AC
Switching current	max. 5 A
Breaking capacity (voltage dependent)	max. 1250 VA (resist.)

General data

Mech./ elect. life	2×10^7 /load dependent
Temperature range	-20...+55 °C (storage temperature -25...+75 °C)
Mounting method	DIN-rail mountable (EN 60715)
Dimensions H x W x D	110.5 x 22.5 x 114.5 mm

Commercial data

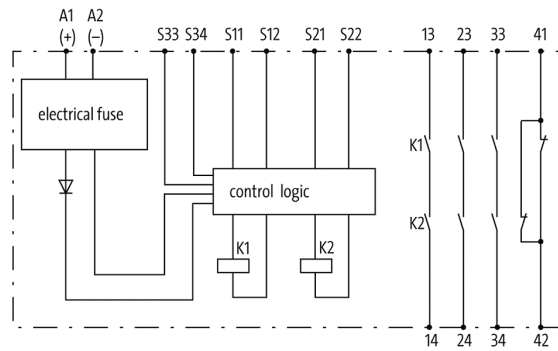
Net weight	188
Net weight	188
Weight unit	gram
Basic unit	pc.
Customs tariff number	85364900
Unit (piece)	1
Limited value	1

All data on this data sheet was compiled carefully.

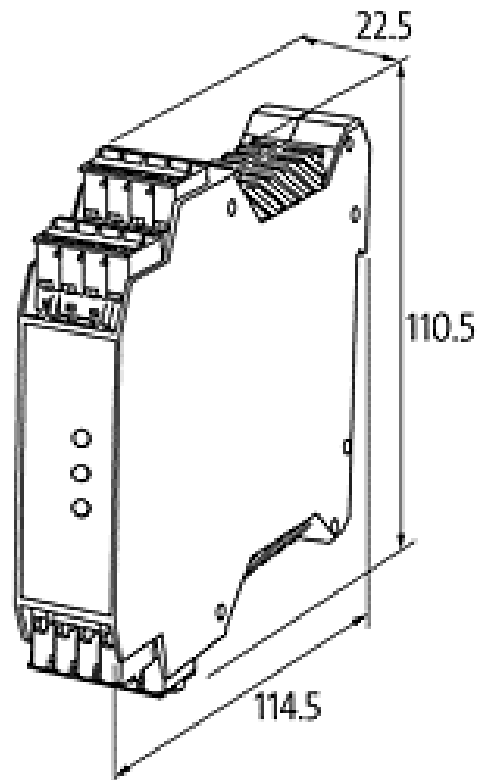
Liability regarding correctness, completeness, and actuality is limited to gross negligence. Created: 06/12

Accessories	Art.-No.
MIRO SAFE double spring clamp pluggable accessories	3000-33010-0000000
MIRO SAFE Label plate (Set 5St) accessories	3000-33030-0000000

Circuit diagram



Dimension drawing



Representante oficial de:



[Argentina – Uruguay – Paraguay – Bolivia – Colombia – y Perú.]



Calle 49 N° 5764 - Villa Ballester (B1653AOX) - Prov. de Buenos Aires - ARGENTINA
Tel: (+54 11) 4768-4242 / Fax: (+54 11) 4849-1212
Mail: ventas@nakase.com.ar / Web: www.nakase.com.ar

