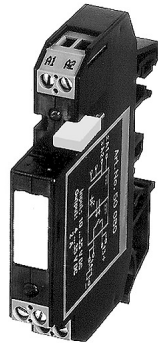


**RMMDU 11/24 VAC/DC output relay IN: 24 VAC/DC - OUT: 250 VAC/DC / 8 A**

1 relay; 1 C/O contact  
8 A  
24 V AC/DC  
with minus plug link

**Image**

- with low connection current  
- Safe separation (IEC 61140/EN 61140)

Vicarious picture

**Switching capacity according to (EN 60947)**

24 V	AC12;8 A	AC15; 3 A	DC13; 2,5 A
110 V	AC12;8 A	AC15; 3 A	DC13; 0,4 A
230 V	AC12;8 A	AC15; 3 A	DC13; 0,3 A

**Input**

Input voltage	24 V AC/DC $\pm 10\%$
Input current	max. 10 mA
Plug link	Art.-No. 90960 (included)
LED display	LED (red)

**Output**

Switching voltage	max. 250 V AC/DC
Min. load current	100 mA
Breaking capacity (voltage dependent)	max. 2000 VA/240 W
Switching frequency	max. 10 Hz
Contact material	Ag Ni 0.15 hv; Ag hv
Energize/release/contact bounce time	10/15/2 ms

**General data**

Mech./ elect. life	$2 \times 10^7$ /load dependent
Temperature range	-20...+50 °C
Mounting method	DIN-rail mountable TH35 or G32 (EN 60715)
Dimensions H x W x D	82 x 12 x 68 mm
Test isolation voltage	5 kV

**Commercial data**

Gross weight	44
Net weight	44
Weight unit	gram
Basic unit	pc.
Customs tariff number	85364900
Unit (piece)	1
Limited value	1

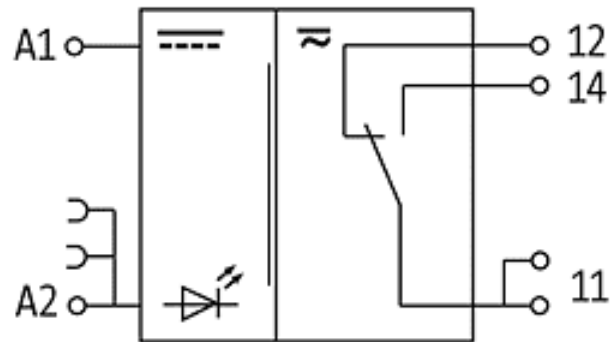
**Comments**

Safe separation (IEC 61140/EN 61140)

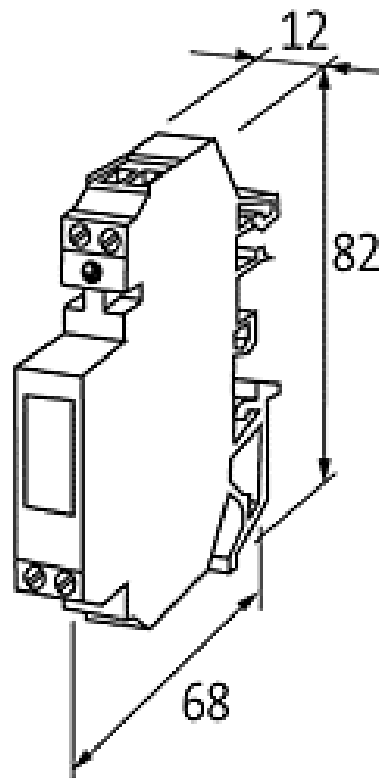
All data on this data sheet was compiled carefully.

Liability regarding correctness, completeness, and actuality is limited to gross negligence. Created: 05/12

## Circuit diagram



## Dimension drawing



Representante oficial de:



[Argentina – Uruguay – Paraguay – Bolivia – Colombia – y Perú.]



Calle 49 N° 5764 - Villa Ballester (B1653AOX) - Prov. de Buenos Aires - ARGENTINA  
Tel: (+54 11) 4768-4242 / Fax: (+54 11) 4849-1212  
Mail: [ventas@nakase.com.ar](mailto:ventas@nakase.com.ar) / Web: [www.nakase.com.ar](http://www.nakase.com.ar)

