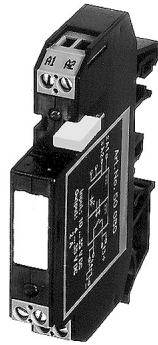


RMMDA 11/230 output relay IN: 230 VAC/DC - OUT: 250 VAC/DC / 6 A

1 relay; 1 N/O contact
6 A
230 V AC
with minus plug link

Image

Vicarious picture

Switching capacity according to (EN 60947)

| | | | |
|-------|----------|-----------|--------------|
| 24 V | AC12;6 A | AC15; 4 A | DC13; 2 A |
| 110 V | AC12;6 A | AC15; 4 A | DC13; 0.25 A |
| 230 V | AC12;6 A | AC15; 4 A | DC13; 0.1 A |

Input

| | |
|---------------|--------------------------|
| Input voltage | 230 V AC +10 % -15 % |
| Input current | 5 mA (without plug link) |
| LED display | LED (red) |

Output

| | |
|---------------------------------------|----------------------|
| Switching voltage | max. 250 V AC/DC |
| Min. load current | 100 mA |
| Breaking capacity (voltage dependent) | max. 2000 VA/240 W |
| Switching frequency | max. 10 Hz |
| Contact material | Ag Ni 0.15 hv; Ag hv |
| Energize/release/contact bounce time | 10/15/2 ms |
| Switching current | max. 6 A |

General data

| | |
|------------------------|---|
| Mech./ elect. life | 2 × 10 ⁷ /load dependent |
| Temperature range | -20...+50 °C |
| Mounting method | DIN-rail mountable TH35 or G32 (EN 60715) |
| Dimensions H × W × D | 82 x 12 x 68 mm |
| Test isolation voltage | 4 kV |

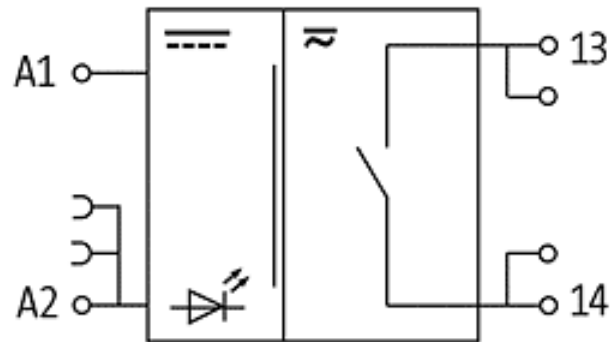
All data on this data sheet was compiled carefully.

Liability regarding correctness, completeness, and actuality is limited to gross negligence. Created: 05/12

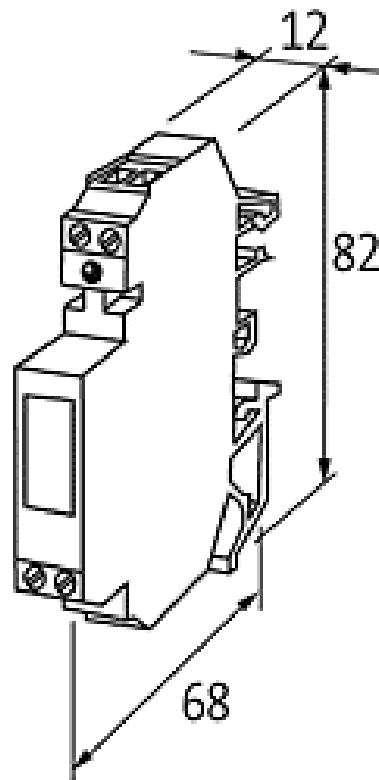
Commercial data

| | |
|-----------------------|----------|
| Gross weight | 38 |
| Net weight | 38 |
| Weight unit | gram |
| Basic unit | pc. |
| Customs tariff number | 85364900 |
| Unit (piece) | 1 |
| Limited value | 1 |

Circuit diagram



Dimension drawing



Representante oficial de:



[Argentina – Uruguay – Paraguay – Bolivia – Colombia – y Perú.]



Calle 49 N° 5764 - Villa Ballester (B1653AOX) - Prov. de Buenos Aires - ARGENTINA
Tel: (+54 11) 4768-4242 / Fax: (+54 11) 4849-1212
Mail: ventas@nakase.com.ar / Web: www.nakase.com.ar

