

**MIRO TR 24VDC 20KHZ IN<1MA Opto-coupler module IN: 30 VDC - OUT: 48 VDC / 0,5 A**

Transistor 0.5 A  
24 V DC  
Control current 0.1 mA  
Screw terminals

### Image



Vicarious picture

### Approvals



#### Input

|                   |               |
|-------------------|---------------|
| Operating voltage | 15...30 V DC  |
| Voltage range ON  | 4.2...30 V DC |
| Voltage range OFF | 0...2 V DC    |
| Control current   | 0.1 mA at 5 V |
| LED display       | LED (yellow)  |

#### Output

|                                       |                |
|---------------------------------------|----------------|
| Switching voltage                     | 5...48 V DC    |
| Switching current                     | 0.1 mA...0.5 A |
| Saturation voltage (across output)    | <= 1.2 V DC    |
| Leakage current (when output is open) | <= 0.1 mA      |
| Switching time ON/OFF                 | 12/12 $\mu$ s  |
| Switching frequency                   | max. 20 kHz    |

#### General data

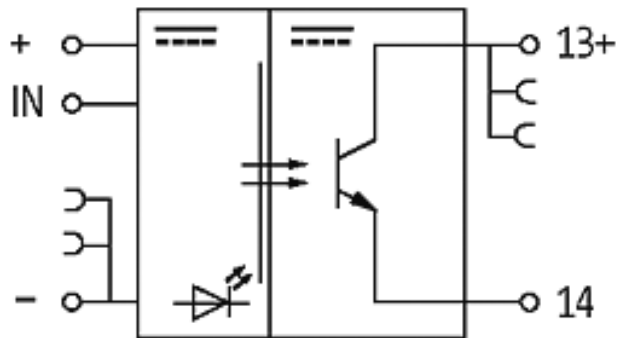
|                        |                                |
|------------------------|--------------------------------|
| Test isolation voltage | 3.75 kV                        |
| Temperature range      | -20...+60 °C                   |
| Housing                | Plastic black, flame retardant |
| Mounting method        | DIN-rail mountable (EN 60715)  |
| Dimensions H x W x D   | 90 x 6.2 x 65 mm               |

All data on this data sheet was compiled carefully.

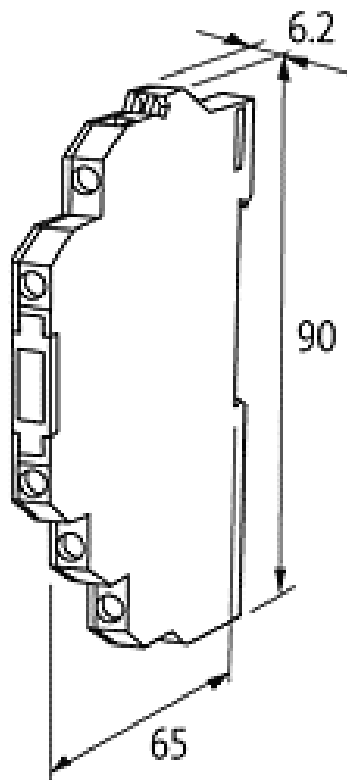
Liability regarding correctness, completeness, and actuality is limited to gross negligence. Created: 06/12

| Commercial data  |          |
|--|----------|
| Net weight   | 28       |
| Net weight   | 28       |
| Weight unit  | gram     |
| Basic unit   | pc.      |
| Customs tariff number                                      | 85414090 |
| Unit (piece)   | 1        |
| Limited value  | 1        |
| Accessories  | Art.-No. |
| Wiring accessorie plug link                                | 90961    |
| Wiring accessorie red spacing 6,2 mm                       | 90976    |
| Wiring accessorie blue spacing 6,2 mm                      | 90975    |
| Wiring accessorie end cap red                              | 90982    |
| Wiring accessorie end cap blue                             | 90980    |
| Wiring accessorie 16 pole cross-section: 1 mm <sup>2</sup> | 90977    |
| Control systems Label plate Miro                           | 90901    |

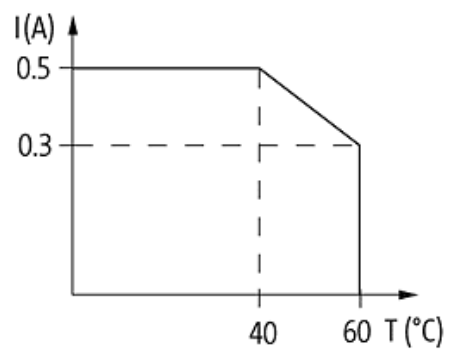
## Circuit diagram



## Dimension drawing



## De-rating curve



Representante oficial de:



[Argentina – Uruguay – Paraguay – Bolivia – Colombia – y Perú.]



Calle 49 N° 5764 - Villa Ballester (B1653AOX) - Prov. de Buenos Aires - ARGENTINA  
Tel: (+54 11) 4768-4242 / Fax: (+54 11) 4849-1212  
Mail: [ventas@nakase.com.ar](mailto:ventas@nakase.com.ar) / Web: [www.nakase.com.ar](http://www.nakase.com.ar)

