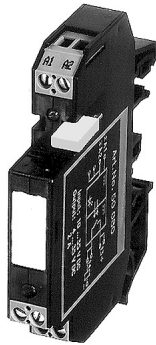


## EMMDS 30-64/0,1 Opto-coupler module IN: 230 VAC - OUT: 40 VDC / 0,1 A

Transistor, switched positive 0.1 A  
230 V AC

## Image



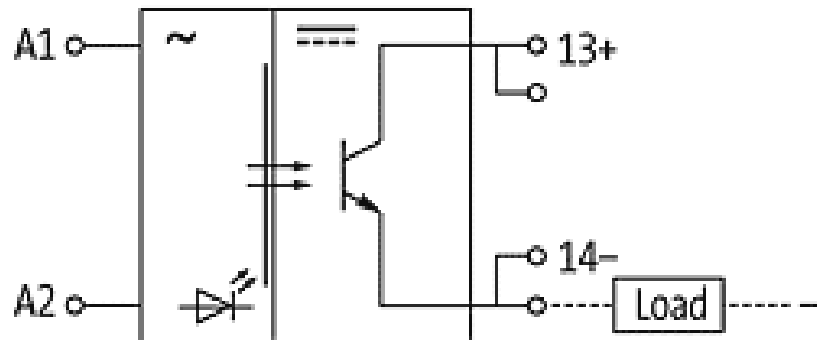
Vicarious picture

| Input                                 |   |
|---------------------------------------|---|
| Voltage range ON                      | 195...253 V AC                            |
| Voltage range OFF                     | 0...110 V AC                              |
| Operating current                     | 10 mA                                     |
| LED display                           | LED (red)                                 |
| Plug link                             | no plug-link facility                     |
| Output                                |   |
| Switching voltage                     | 4...40 V DC                               |
| Switching current                     | 1 mA...0.1 A                              |
| Saturation voltage (across output)    | <= 1.2 V DC                               |
| Leakage current (when output is open) | <= 0.3 mA                                 |
| Switching time ON/OFF                 | 20/45 ms                                  |
| Switching frequency                   | max. 10/1 Hz (resist./ind.)               |
| General data                          |   |
| Test isolation voltage                | 3.75 kV                                   |
| Temperature range                     | -20...+60 °C                              |
| Housing                               | Plastic black, flame retardant            |
| Mounting method                       | DIN-rail mountable TH35 or G32 (EN 60715) |
| Dimensions H x W x D                  | 82 x 12 x 68 mm                           |
| Commercial data                       |   |
| Net weight                            | 39  |
| Net weight                            | 39  |
| Weight unit                           | gram                                      |
| Basic unit                            | pc.                                       |
| Customs tariff number                 | 85414090                                  |
| Unit (piece)                          | 1   |
| Limited value                         | 1   |

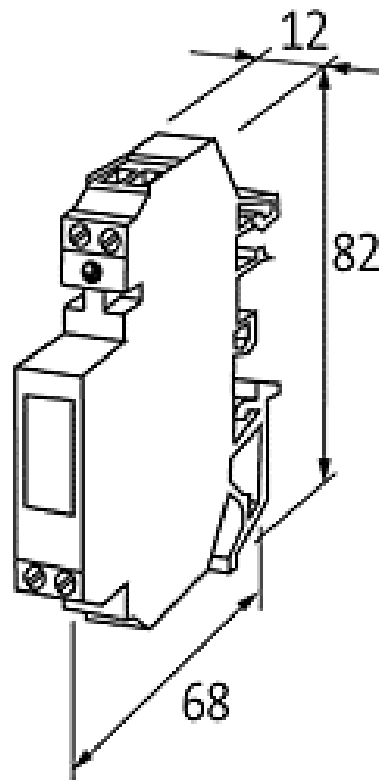
All data on this data sheet was compiled carefully.

Liability regarding correctness, completeness, and actuality is limited to gross negligence. Created: 06/12

## Circuit diagram



## Dimension drawing



Representante oficial de:



[Argentina – Uruguay – Paraguay – Bolivia – Colombia – y Perú.]



Calle 49 N° 5764 - Villa Ballester (B1653AOX) - Prov. de Buenos Aires - ARGENTINA  
Tel: (+54 11) 4768-4242 / Fax: (+54 11) 4849-1212  
Mail: [ventas@nakase.com.ar](mailto:ventas@nakase.com.ar) / Web: [www.nakase.com.ar](http://www.nakase.com.ar)

