

**DC-Motor commutating circuit IN: 24 VDC - OUT: 24 VDC / 3 A**

Transistor 3 A  
24 V DC  
Spring clamp terminals

**Image**

- Start-stop/left-right (active stop mode)  
- Over current / temperature monitoring

Vicarious picture

**Input**

Voltage range ON	15...30 V DC
Voltage range OFF	0...5 V DC
Operating current	10 mA
LED display	LED (yellow): right running; LED (green): left running

**Output**

Switching voltage	19.2...30 V DC
Switching current	3 A
Highest current	approx. 6 A for 100 ms
Saturation voltage (across output)	<= 1.4 V DC
Leakage current (when output is open)	<= 10 mA
Switching time ON/OFF	1.2/10 ms
Switching frequency	max. 1 Hz (motor dependant)
Changing time	<= 50 ms
LED display	LED (red): error (over current / over heated)

**General data**

Test isolation voltage	no galvanic separation
Temperature range	0...+50 °C
Housing	Plastic black, flame retardant
Mounting method	DIN-rail mountable TH35 or G32 (EN 60715)
Dimensions H x W x D	75 x 22.5 x 102 mm

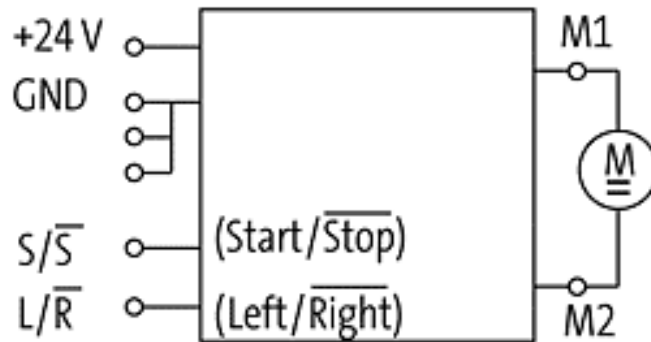
**Commercial data**

Net weight	40
Net weight	40
Weight unit	gram
Basic unit	pc.
Customs tariff number	85414090
Unit (piece)	1
Limited value	1

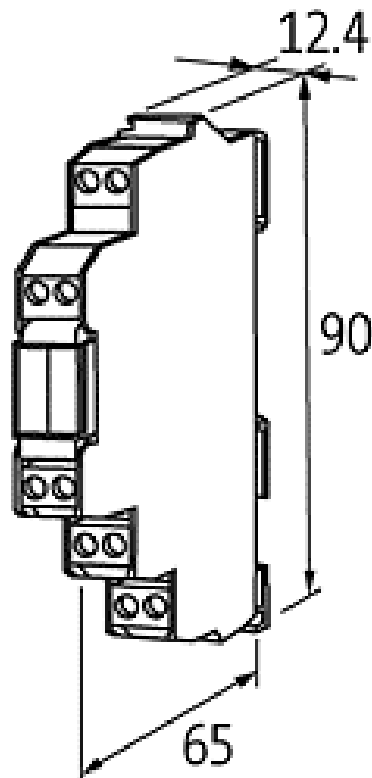
All data on this data sheet was compiled carefully.

Liability regarding correctness, completeness, and actuality is limited to gross negligence. Created: 06/12

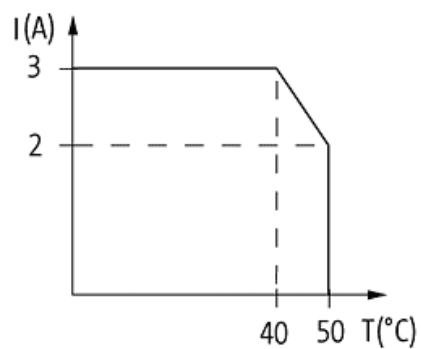
## Circuit diagram



## Dimension drawing



## De-rating curve



Representante oficial de:



[Argentina – Uruguay – Paraguay – Bolivia – Colombia – y Perú.]



Calle 49 N° 5764 - Villa Ballester (B1653AOX) - Prov. de Buenos Aires - ARGENTINA  
Tel: (+54 11) 4768-4242 / Fax: (+54 11) 4849-1212  
Mail: [ventas@nakase.com.ar](mailto:ventas@nakase.com.ar) / Web: [www.nakase.com.ar](http://www.nakase.com.ar)

