

**AMS 4 Optocouplermodule In: 24 VDC Out: 24 VDC / 2A**

Transistor, switched positive 2 A  
4 N/O  
24 V DC

**Image**

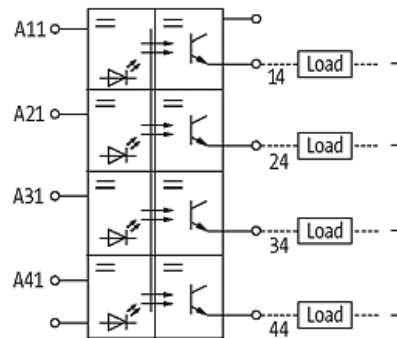
Vicarious picture

<b>Input</b>	
LED display	LED (yellow)
Voltage range ON	20...30 V DC
Voltage range OFF	0...6 V DC
Operating current	3 mA
<b>Output</b>	
Switching voltage	5...30 V DC
Switching current	1 mA...2 A
Saturation voltage (across output)	$\leq 0.05$ V DC
Leakage current (when output is open)	$\leq 0.01$ mA
Switching time ON/OFF	1/5 ms
Switching frequency	max. 10/1 Hz (resist./ind.)
<b>General data</b>	
Test isolation voltage	2.5 kV
Temperature range	-25...+50 °C
Housing	Plastic black, flame retardant
Mounting method	DIN-rail mountable TH35 or G32 (EN 60715)
Dimensions H x W x D	75 x 22.5 x 102 mm
<b>Commercial data</b>	
Net weight	55
Net weight	55
Weight unit	gram
Basic unit	pc.
Customs tariff number	85414090
Unit (piece)	1
Limited value	1

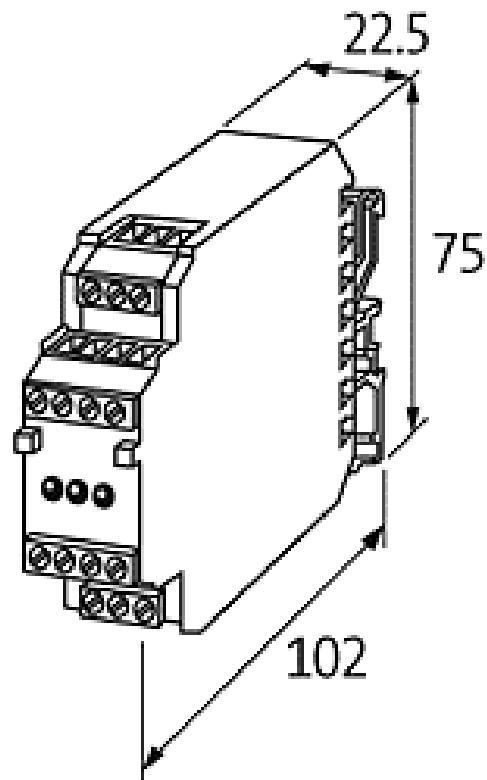
All data on this data sheet was compiled carefully.

Liability regarding correctness, completeness, and actuality is limited to gross negligence. Created: 06/12

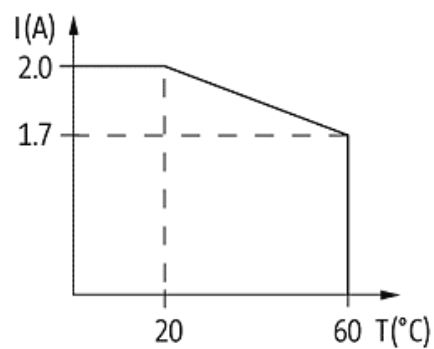
## Circuit diagram



## Dimension drawing



## De-rating curve



Representante oficial de:



[Argentina – Uruguay – Paraguay – Bolivia – Colombia – y Perú.]



Calle 49 N° 5764 - Villa Ballester (B1653AOX) - Prov. de Buenos Aires - ARGENTINA  
Tel: (+54 11) 4768-4242 / Fax: (+54 11) 4849-1212  
Mail: [ventas@nakase.com.ar](mailto:ventas@nakase.com.ar) / Web: [www.nakase.com.ar](http://www.nakase.com.ar)

