

**Modlink MSDD Front panel interface Frame module single black metal**

Frame: metal, black KTL

Lid: metal, black KTL

**Image**

Vicarious picture

**General data**

Protection	IP65
Temperature range	-10...+60 °C (storage temperature -25...+60 °C)
Housing	zinc die-casting, KTL coated
suitable for mounting with wall thickness	1...5 mm
outer dimensions H × W × D	120 × 66 × 32...62 mm (element dependent)

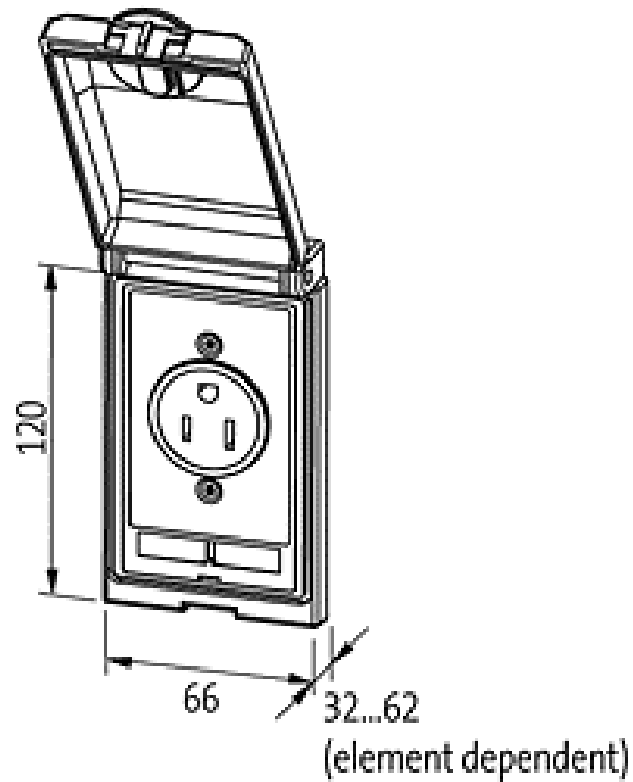
**Commercial data**

Net weight	285
Net weight	285
Weight unit	gram
Basic unit	pc.
Customs tariff number	85389099
Unit (piece)	1
Limited value	1

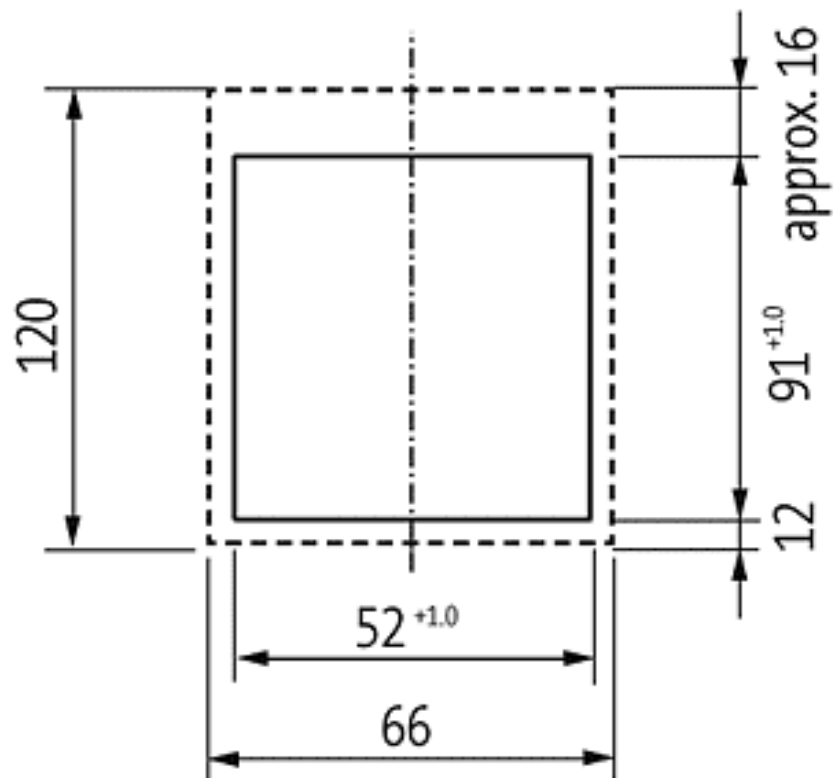
**Comments**

KTL stands for ?cataphoretic immersion painting? and ensures that the product is given long-lasting protection from scratching and corrosion

## Dimension drawing



## Control cabinet cut-out



Representante oficial de:



[Argentina – Uruguay – Paraguay – Bolivia – Colombia – y Perú.]



Calle 49 N° 5764 - Villa Ballester (B1653AOX) - Prov. de Buenos Aires - ARGENTINA  
Tel: (+54 11) 4768-4242 / Fax: (+54 11) 4849-1212  
Mail: [ventas@nakase.com.ar](mailto:ventas@nakase.com.ar) / Web: [www.nakase.com.ar](http://www.nakase.com.ar)

