

MSDD Inst. socket USB Bf.A.1m cable

USB (form A)

1 × USB (female/male) form A, 1.0 m cable

Image

Vicarious picture

Technical Data

Operating voltage	30 V AC/DC
Operating current	max. 500 mA
Connection diameter	2 × 0.22 mm ² / AWG 24; 2 × 0.08 mm ² / AWG 28
Specification	USB: 2.0/type 2dB (max. 480 Mbit/s)
Mounting depth mounted	approx. 70 mm

General data

Shielded	yes
Protection	IP65
Dimensions Ø × D	29.5 x 29 mm
Cut-out	Ø 22.5 mm

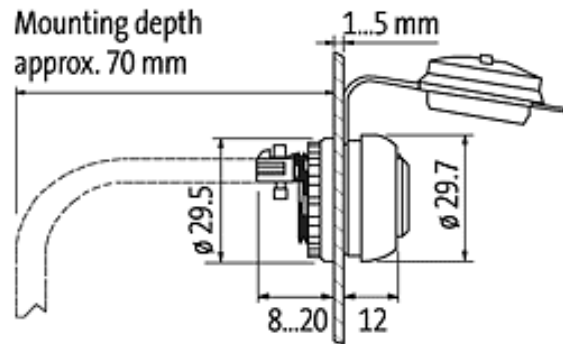
Commercial data

Net weight	40
Net weight	40
Weight unit	gram
Basic unit	pc.
Customs tariff number	85444290
Unit (piece)	1
Limited value	1

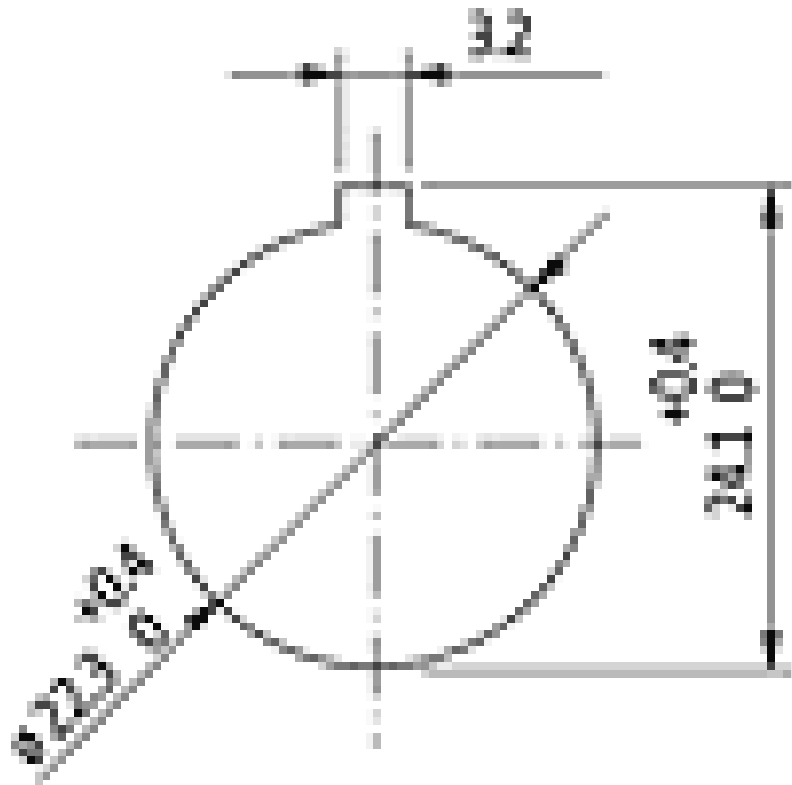
All data on this data sheet was compiled carefully.

Liability regarding correctness, completeness, and actuality is limited to gross negligence. Created: 06/12

Dimension drawing



Control cabinet cut-out



Representante oficial de:



[Argentina – Uruguay – Paraguay – Bolivia – Colombia – y Perú.]



Calle 49 N° 5764 - Villa Ballester (B1653AOX) - Prov. de Buenos Aires - ARGENTINA
Tel: (+54 11) 4768-4242 / Fax: (+54 11) 4849-1212
Mail: ventas@nakase.com.ar / Web: www.nakase.com.ar

