

Emparro67 8-100-240/24 7/8"

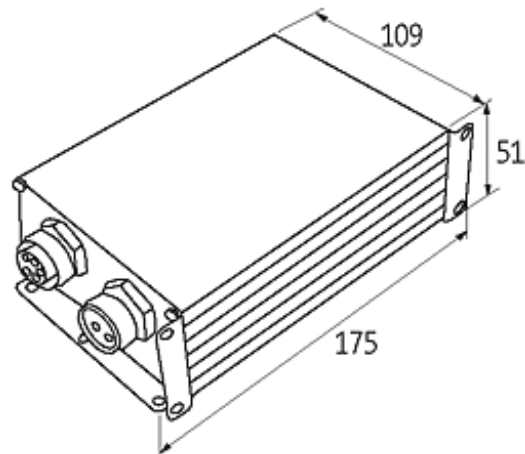
INPUT: 90...265 V AC/90...265 V DC

OUTPUT: 24 V DC (SELV), $\pm 2\%$

Current: 8 A

[Link to Product](#)

Illustration



Product may differ from Image

Input

Input voltage	90...265 V AC/90...265 V DC
Input current	2.1 A (100 V AC); 0.9 A (240 V AC)
Inrush current after 1 ms	max. 7 A (230 V AC)
Power factor	0.95 (230 V AC)
Primary fusing external	max. 10 A (T)
Frequency	50...60 Hz

General data

Standards	(EN 60950-1), (EN 61204-3), (EN 55011 B), (EN 61000-3-2)
Relative humidity	4...100 %
Efficiency	94.2 % (230 V AC)
Mounting method	screw fixing
Temperature range	-25...+60 °C, ...+70 °C derating (storage temperature -40...+80 °C)

Output

Output voltage	24 V DC (SELV), ±2 %
Power Boost	lout N × 150 % (min. 4 s)
Output current	9 A
Mains failure bridging time	min. 35 ms (230 V AC); 8 A (24 V DC)
Ripple	max. 30 mVrms
Spikes	max. 300 mV p-p
Unit protection	short-circuit and overload protected
LED display	LED (green): OK; LED (red): overload, overheating or short-circuit

Commercial data

country of origin	CH
customs tariff number	85044090
minimum order quantity	1

Representante oficial de:



[Argentina – Uruguay – Paraguay – Bolivia – Colombia – y Perú.]



Calle 49 N° 5764 - Villa Ballester (B1653AOX) - Prov. de Buenos Aires - ARGENTINA
Tel: (+54 11) 4768-4242 / Fax: (+54 11) 4849-1212
Mail: ventas@nakase.com.ar / Web: www.nakase.com.ar

