

Emparro Cap buffer module IN: 24VDC OUT: 24VDC/20A for max. 1A/40s

INPUT: 24 V DC (SELV/PELV)

Buffer time: 1.0 s

OUTPUT: max. 20 A

Image



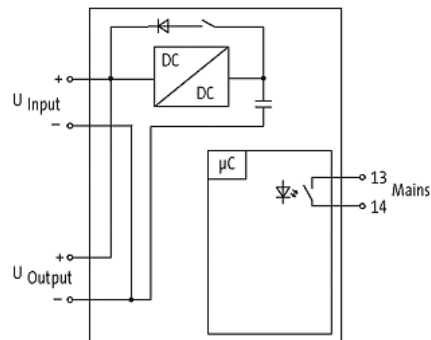
Vicarious picture

| Input | |
|-----------------------|---|
| Input voltage | 21.6...26.4 V DC |
| Input current | 20 A |
| Inrush current | max. 25 A |
| Loading time | typ. 80 s |
| Output | |
| Output voltage | 25.5 V...19 V DC $\pm 2\%$ |
| Output current | max. 20 A |
| Buffering time | |
| General data | |
| Standards | (EN 61000-6-2), (EN 61000-6-4) |
| Temperature range | -40...+60 °C (storage temperature -40...+60 °C) |
| Mounting method | DIN-rail mountable TH35-7.5/TH35-15 (EN 60715) |
| Efficiency | min. 90 % |
| Commercial data | |
| Net weight | 781 |
| Weight unit | gram |
| Basic unit | pc. |
| Customs tariff number | |
| Unit (piece) | 1 |
| Limited value | 1 |

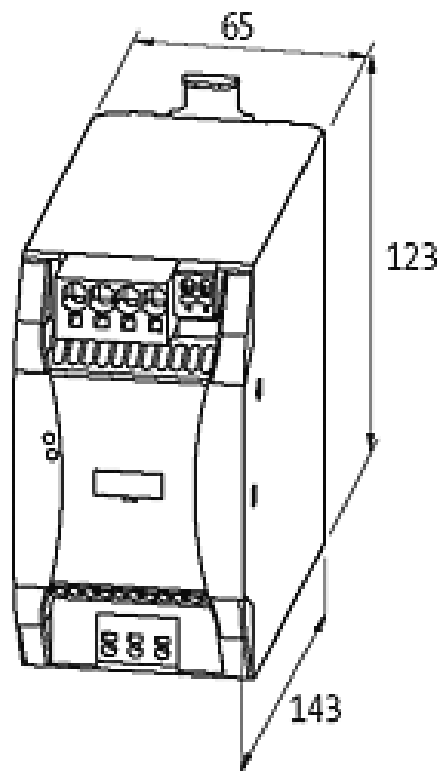
All data on this data sheet was compiled carefully.

Liability regarding correctness, completeness, and actuality is limited to gross negligence. Created: 05/13

Circuit diagram



Dimension drawing



Representante oficial de:



[Argentina – Uruguay – Paraguay – Bolivia – Colombia – y Perú.]



Calle 49 N° 5764 - Villa Ballester (B1653AOX) - Prov. de Buenos Aires - ARGENTINA
Tel: (+54 11) 4768-4242 / Fax: (+54 11) 4849-1212
Mail: ventas@nakase.com.ar / Web: www.nakase.com.ar

