

MCS-B Power supply 1-phase, primary switched IN: 100-265VAC OUT: 24V/10ADC

INPUT: 100...265 V AC

OUTPUT: 24 V DC

Current: 10 A

Image

- stable output voltage, short-circuit and overload protected
- Wide voltage input
- touch protected (EN 60529) IP20

Vicarious picture

Approvals**Input**

Voltage range	100...265 V AC
Input current	3.4 A (115 V AC); 2.2 A (230 V AC)
Inrush current after 1 ms	<= 40 A
Primary fusing	max. 16 A
Frequency	50/60 Hz

Output

Output voltage	24 V DC (SELV), +3/-1 %
Output current	10 A (+40 °C); 8 A (+55 °C) 83 % (115 V AC); 85 % (230 V AC)
Mains failure bridging	>= 15 ms (115 V AC); >= 115 ms (230 V AC)
Ripple	<= 20 mV rms
Spikes	<= 100 mV p-p
Protection	Short-circuit and overload protected
LED display	LED (green) for output voltage
Parallel usage/serial usage	no/yes (max. 2 units)

General data

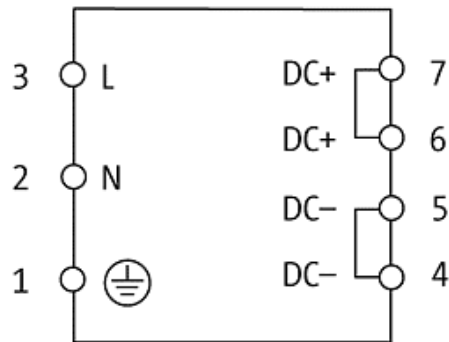
Standards	(EN 60950-1), (EN 61204-3), (EN 55011 A)
Mounting method	DIN-rail mountable TH35 (EN 60715)
Relative humidity	5...95 %, no condensation
Temperature range	0...+40 °C, to +70 °C derating (storage temperature -25...+85 °C)
Dimensions H x W x D	128 x 68 x 165 mm

All data on this data sheet was compiled carefully.

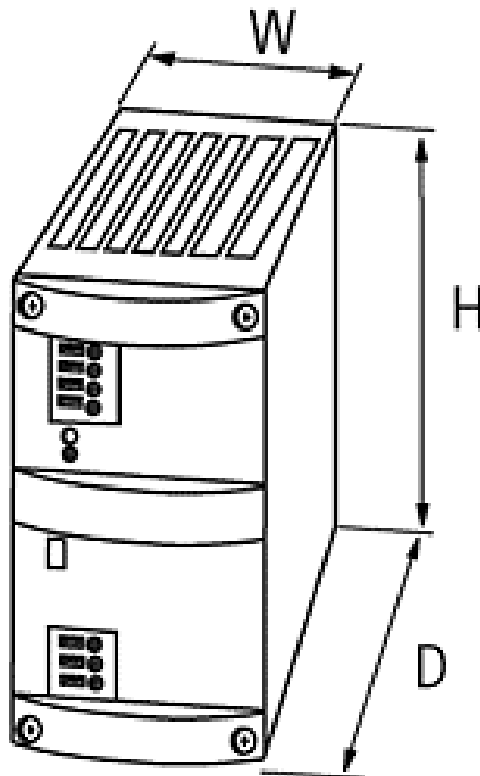
Liability regarding correctness, completeness, and actuality is limited to gross negligence. Created: 06/12

Commercial data	
Net weight	831
Net weight	831
Weight unit	gram
Basic unit	pc.
Customs tariff number	85044090
Unit (piece)	1
Limited value	1
Accessories	
Accessory for MCS Plate for screw mounting	Art.-No. 89514

Circuit diagram



Dimension drawing



Representante oficial de:



[Argentina – Uruguay – Paraguay – Bolivia – Colombia – y Perú.]



Calle 49 N° 5764 - Villa Ballester (B1653AOX) - Prov. de Buenos Aires - ARGENTINA
Tel: (+54 11) 4768-4242 / Fax: (+54 11) 4849-1212
Mail: ventas@nakase.com.ar / Web: www.nakase.com.ar

