

MASI ASI power supply 1-phase, primary switched IN: 230VAC OUT: 30,5V/2,8ADC

INPUT: 230 V AC

Current: 2.8 A

## Image



- Single-phase, primary switched
- touch protected (EN 60529) IP20

Vicarious picture

## Approvals



### Input

Input voltage	230 V AC
Input current	0.8 A
Inrush current after 1 ms	<= 20 A
Primary fusing	max. 10 A T
Frequency	50/60 Hz

### Output

Output voltage	30.5 V DC (SELV), $\pm 3\%$
Output current	max. 2.8 A
Output rating	85.4 W
	85 %
Mains failure bridging	>= 30 ms (230 V AC)
Ripple	<= 50 mV p-p
Protection	Short-circuit and overload protected
LED display	LED (green) for output voltage
Output filter	Filter acc. to AS-Interface specification

### General data

Standards	(EN 60950-1), (EN 61204-3), (EN 55022 B)
Protection	IP20
Temperature range	-10...+60 °C
Mounting method	DIN-rail mountable TH35 (EN 60715)
AS-Interface	Unit complies to AS-Interface specification for power supplies (PELV)
Dimensions H x W x D	153 x 103 x 70 mm

### Commercial data

Net weight	750
Net weight	650
Weight unit	gram
Basic unit	pc.
Customs tariff number	85044090
Unit (piece)	1
Limited value	1

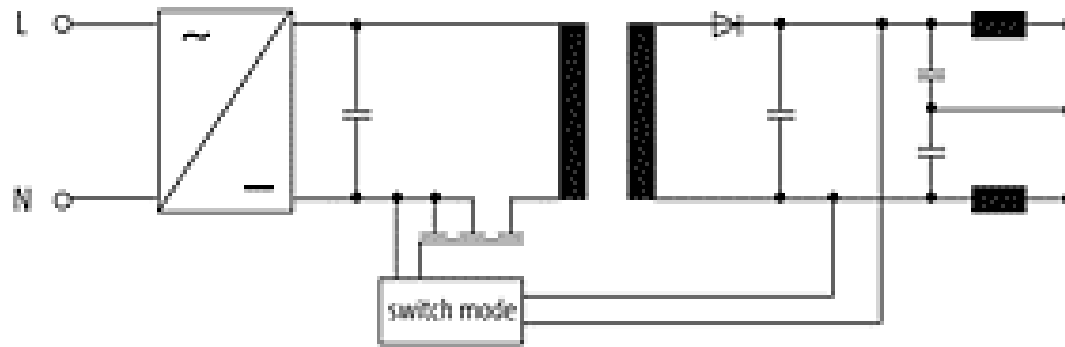
### Comments

This switch mode power supplies meet the (EN 61000-3-2) standard for harmonic current.

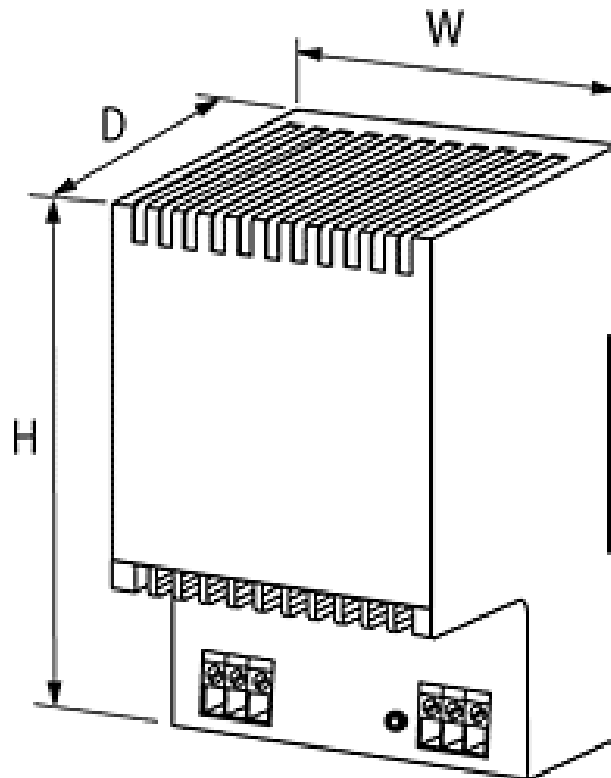
All data on this data sheet was compiled carefully.

Liability regarding correctness, completeness, and actuality is limited to gross negligence. Created: 06/12

## Circuit diagram



## Dimension drawing



Representante oficial de:



[Argentina – Uruguay – Paraguay – Bolivia – Colombia – y Perú.]



Calle 49 N° 5764 - Villa Ballester (B1653AOX) - Prov. de Buenos Aires - ARGENTINA  
Tel: (+54 11) 4768-4242 / Fax: (+54 11) 4849-1212  
Mail: [ventas@nakase.com.ar](mailto:ventas@nakase.com.ar) / Web: [www.nakase.com.ar](http://www.nakase.com.ar)

