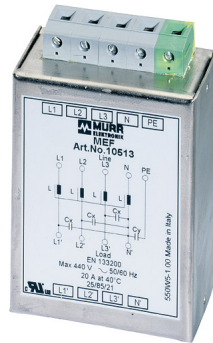


MEF EMC-Filter 3-phase 1-stage with neutral I:3A U:4x440 VAC snap on

Current: 3 A

Image

- rail mountable
- with neutral

Vicarious picture

Approvals**Technical Data**

Operating voltage	max. 4 × 440 V AC
Operating frequency	50...60 Hz
Consumption at 250 V AC	max. 3 mA
Test voltage	L - N: 2.7 kV DC, 2 s; L - L: 2.1 kV DC, 2 s
Overload current	18 × IN t < 0.5 ms; 1.5 × IN t < 1 min. (1 × per hour)
Connection diameter	0.2...6 mm ² single core (AWG 24...9); 0.2...4 mm ² multiple core (AWG 24...11)

General data

Connection	Screw connection, touch protected
Climatic category	25/85/21 (EN 600068-1)
Mounting method	DIN-rail mountable TH35 (EN 60715)
Dimensions H × W × D	107 x 65 x 39 mm

Description

The 3-phase and one-stage EMC filters MEF 3/1 are used in the range 0.1...30 MHz and dampen interferences found in cables from the mains, supply units and control systems. They are suitable for TN-S, TN-C-S, and TT networks. The best results are obtained with short connection cables (suggestion: earth connection < 10 cm) of the largest possible cross-section. The EMC filters are bi-directional. They reduce symmetrical and asymmetrical interferences that regularly appear with electronically controlled three phase units through mains influences.

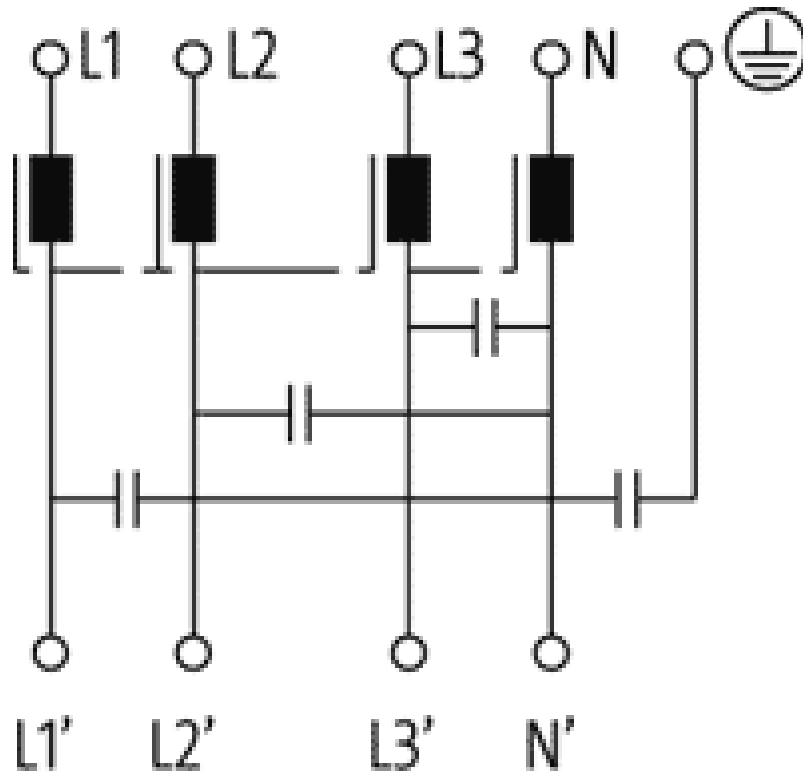
Commercial data

Net weight	450
Net weight	450
Weight unit	gram
Basic unit	pc.
Customs tariff number	85363010
Unit (piece)	1
Limited value	1

Comments

Attenuation curves on request.

Circuit diagram



Representante oficial de:



[Argentina – Uruguay – Paraguay – Bolivia – Colombia – y Perú.]



Calle 49 N° 5764 - Villa Ballester (B1653AOX) - Prov. de Buenos Aires - ARGENTINA
Tel: (+54 11) 4768-4242 / Fax: (+54 11) 4849-1212
Mail: ventas@nakase.com.ar / Web: www.nakase.com.ar

