

Hand-held operator panel  
**Controller based  
IndraControl VCH**



Hand-held operator panel

**Controller based ■ IndraControl VCH**

**Documentation**



**IndraControl VCH 08**

- Safety functions for man and machine
- Handles with integrated enabling and stop buttons
- Sturdy structure for industrial use
- Optimum ergonomics for reliable fatigue-free handling
- Brilliant 3.8" graphics display and universal-use touch panel for convenient operation and visualization

Irrespective of the particular location – IndraControl VCH 08 allows operation, setup, parameterization and diagnostics via Ethernet TCP/IP. During connection and disconnection, the stop function is overridden automatically, thus ensuring smooth work. Together with the optimal design, the low weight allows fatigue-free work and high operator convenience. The integrated 3-step enabling button and the 2-circuit stop button are looped in through the junction box VAC 30, thus ensuring maximum safety.

**Technical data**

VCH 08.1	
<b>Processor</b>	
CPU	PXA 270/416 MHz (Standard)
<b>Memory</b>	
Application	64 MB
Flash size	64 MB
<b>Display</b>	
Type	STN
Size	3.8 "
Colours/Greyscales	5
	grey tones
Resolution	320 x 240
<b>Operation</b>	
Type	keyboard operation
Operation	Function keys
Funktion Keys	15
... with LED	12
System Keys	25
operator keys	40
<b>Operation</b>	
Accept Keys	2
	2-circuit, 3-step
	Standard
Stop Key	1
	2-circuit
	Standard

Hand-held operator panel

**Controller based ■ IndraControl VCH**

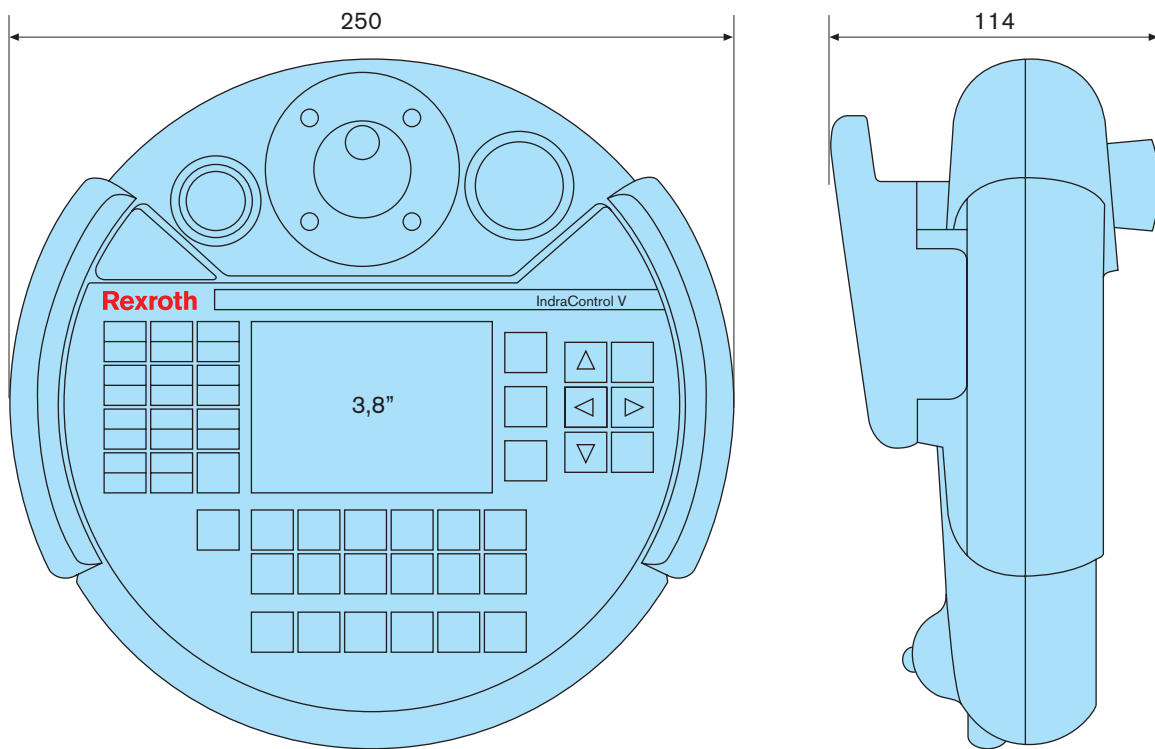
Handwheel / MPG (manual pulse generator)		1
		Option
Override Potentiometer		1
		Option
<b>Electric data</b>		
Voltage supply	U	24 VDC
Min.	$U_{\min}$	19 VDC
Max.	$U_{\max}$	30 VDC
Input Power	[W]	4.8
<b>Protection</b>		
Category Total		IP65
<b>Others</b>		
visualization		VI-Composer
Connection cable	[m]	8
<b>Weight</b>		
Weight		1,1 kg
<b>Ambient conditions</b>		
Ambient temp. operation	Min. [°C]	0
	Max. [°C]	50
Ambient temp. storage	Min. [°C]	-20
	Max. [°C]	70
Relative humidity operation	Min. [%]	5
	Max. [%]	95
Relative humidity storage	Min. [%]	5
	Max. [%]	95
Atmospheric pressure (operation)	Min. [kPa]	80
	Max. [kPa]	106
	EN 60034-1	(up to 2,000 above MSL)
Atmospheric pressure (transport/storage)	Min. [kPa]	70
	Max. [kPa]	106
	EN 60034-1	(up to 3,000 above MSL)

**Dimensions**

		VCH 08.1	
Dimensions			
Depth D	[mm]		55
Diameter	[mm]		250
Knob Diameter	[mm]		37

Hand-held operator panel

**Controller based ■ IndraControl VCH**



**Type code**

Type code	Description	Part No.:
VCH08.1EAB-064ET-A1D-064-CS-E2-PW	IndraControl VCH 08 with handwheel (0,5 m Ethernet cable)	R911171057
VCH08.1EAB-064ET-A1D-064-CS-E1-PW	IndraControl VCH 08 (8 m Ethernet cable)	R911170837
VCH08.1EAB-064ET-A1D-064-DS-E1-PW	IndraControl VCH 08 with handwheel (8 m Ethernet cable)	R911170838

Type code	Description	Part No.:
VAS01.1-002-NNN-NN	VAS 01 wall-mounted holder	R911170839
VAC30.2N-NN	VAC 30 connection unit	R911171054

Representante oficial de:

**Rexroth**  
Bosch Group

[Argentina]



Calle 49 N° 5764 - Villa Ballester (B1653AOX) - Prov. de Buenos Aires - ARGENTINA  
Tel: (+54 11) 4768-4242 / Fax: (+54 11) 4849-1212  
Mail: [ventas@nakase.com.ar](mailto:ventas@nakase.com.ar) / Web: [www.nakase.com.ar](http://www.nakase.com.ar)

---

