



## Dome Camera for hazardous areas EC-750 series

With IP68 protection, it is dust-proof and submersible and suitable for use in harsh environments. The temperature range of -20°C up to +60°C makes it an ideal instrument for outdoor applications. The light weight of 8 kg (17.63 lbs) ensures easy mounting and low shipping costs.

### Explosion Protection :

Explosion Protection Identification



ATEX 6023 X  
Ex d IIC T5  
Ex tD A21 IP68, T100°C

Others on request

Temperature Range:  
Ambient temperature range  
Operation  
-20°C...+60°C,

IP Protection:  
IP 68

### Hardware Features

- The EC-750 is available in two versions, as analog or as IP network camera and allows easy and fast integration in almost any video surveillance systems.
- The 316 stainless steel is easy to clean and has excellent seawater resistance for on- and offshore applications.
- The high-quality, 18x optical zoom of the Dome Camera provides first class image quality.
- The camera comes with a white sun shield, free of charge.
- Zone 1, 2, 21, 22 (Gas / Dust)

### Hardware Types

EC-750-PA-VI-PE	Analog Dome PTZ Camera (PAL)
EC-750-NT-VI-PE	Analog Dome PTZ Camera (NTSC)
EC-750-PA-IP-PE	Network (IP) Dome PTZ Camera

**NOTE:** For more installation and specification details see the Installation manual.

# Dome-Camera EC-750

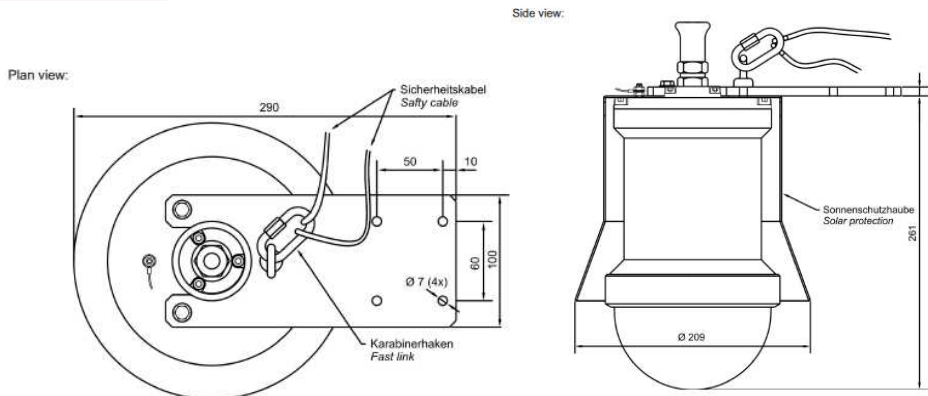
Data sheet 2013 | R1-0 | EN



## Technical Data

CCD sensor	1/4" type EX view HAD CCD image sensor PAL or NTSC	
Picture elements	752 (H) x 582 (V) ca. 400 000 pixel (PAL), ca. 380 000 (NTSC)	
	<b>Analog Dome PTZ Camera</b>	<b>Network Dome PTZ Camera</b>
Resolution	460 TVL (PAL) / 470 TVL (NTSC)	4 CIF, 704 x 576
Frame rate		Motion JPEG up to 30/25 fps at 4 CIF MPEG4 up to 30/25 fps at 2 CIF, up to 20/17 fps at CIF
Security		Password protection IP address filtering HTTPS encrypting
Web server		Live view access from web browser Pan / tilt command and presets Image rotation and overlay capabilities (time, date, text)
Compression		Motion JPEG and MPEG4
Video output	1.0 Vpp composite video at 75 ohm	
Day/Night function	Automatic IR Cut filter (ICR)	
Lens	18x optical zoom, f=4.1 mm (Wide) up to 73.8 mm (Tele)	
Lens movement	Tilt -90° to +90° with flip facility, Pan 360° without stop	
Angle of view	48° (wide), 2.8° (telephoto lens)	
Revolving speed	0 to 42°/s	
Pan speed	0 to 42°/s	
Min. working distance	290 mm (wide angle lens), 800 mm (telephoto lens)	
Min. illumination	0.7 lux in standard mode, 0.01 lux in slow shutter mode and automatically infrared cut filter (ICR)	
S/N Ratio	> 50 dB	
Pan/Tilt Range	360° horizontal, 180° vertical	
Weight	8 kg (17.63 lbs) (incl. 5 m cable)	
Temperature range	-20°C up to +60°C	
Enclosure	Stainless steel 316	
Certification	ATEX and IECEx, further certificates upon request	
Part of delivery	Weather proof enclosure	
Optional accessory	Wall bracket, Pole bracket, Junction box, VB-CAM-MULTI-01-ARM, VB-CAM-MULTI-01-UNI, Ex e Terminal box, Video server	

**NOTE:** The plastic cover/window of the EC-750 Ex DOME Camera should be cleaned only with a damp cloth (use only water, no Alcohol or dissolver).



Representante oficial de:



[Argentina – Uruguay – Paraguay – Bolivia – Ecuador.]



Calle 49 N° 5764 - Villa Ballester (B1653AOX) - Prov. de Buenos Aires - ARGENTINA  
Tel: (+54 11) 4768-4242 / Fax: (+54 11) 4849-1212  
Mail: [ventas@nakase.com.ar](mailto:ventas@nakase.com.ar) / Web: [www.nakase.com.ar](http://www.nakase.com.ar)

---

