

**Exact8, 4xM8, 3 pole Conn.M12 12 pole**

4-way, 3-pole  
M12 (12-pole)  
inline face or side mounting

**Image**

Vicarious picture

**Approvals****Contact layout**

Contact 1	(+)
Contact 3	(-)
Contact 4	(N/O)/(S1)
LED display	LED (green): Power    LED (yellow): signal (S1)

**Technical Data**

Operating voltage	24 V DC
Operating current per contact (40 °C)	max. 1,76A
Total current	max. 1.5 A
Housing	Plastic, flame retardant
Protection	IP65 and IP67 when plugged and screwed down (EN 60529)
Temperature range	-20...+70 °C, depending on cable quality

**Commercial data**

Net weight	101
Net weight	101
Weight unit	gram
Basic unit	pc.
Customs tariff number	85369010
Unit (piece)	1
Limited value	1

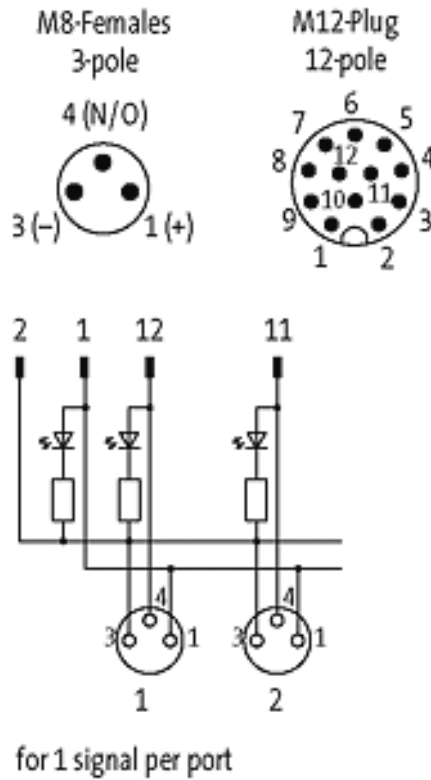
**Comments**

Plastic housings with good resistance against chemicals and oils.  
The resistance to aggressive media should be individually tested for your application. Further details on request.

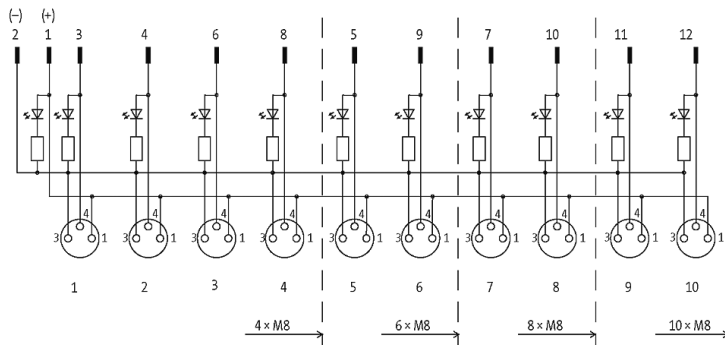
All data on this data sheet was compiled carefully.

Liability regarding correctness, completeness, and actuality is limited to gross negligence. Created: 06/12

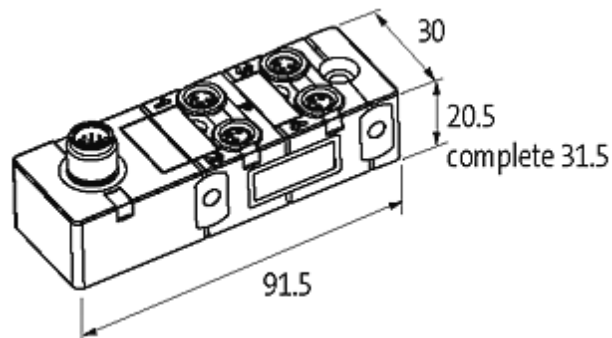
Contact layout



Circuit diagram



Dimension drawing



Representante oficial de:



[Argentina – Uruguay – Paraguay – Bolivia – Colombia – y Perú.]



Calle 49 N° 5764 - Villa Ballester (B1653AOX) - Prov. de Buenos Aires - ARGENTINA  
Tel: (+54 11) 4768-4242 / Fax: (+54 11) 4849-1212  
Mail: [ventas@nakase.com.ar](mailto:ventas@nakase.com.ar) / Web: [www.nakase.com.ar](http://www.nakase.com.ar)

