

MVP12 Metal, 4-way, 5-pole, with pre-wired homerun cable

5-pole
without LED for analog signals up to 125 V AC/DC

Image

Vicarious picture

Approvals**Contact layout**

Contact 1	(+)
Contact 2	(N/C)/(S2)
Contact 3	(-)
Contact 4	(N/O)/(S1)
Contact 5	(Earth)

Form

54512

Technical Data

Operating voltage	max. 125 V AC/DC
Operating current per contact (40 °C)	max. 4 A
Total current	max. 12 A
Housing	zinc die casting, matte nickel plated
Protection	IP65, IP67, IP68 when plugged and screwed down (EN 60529)
Temperature range	-25...+80 °C

Technical data M12 port

Locking of ports	Screw thread M12 × 1 mm
------------------	-------------------------

You can chose from the following variants:

	Art.-No.
MVP-Metall, 4xM12, 5pole, pre-wired cable 3.0m PUR 8x0,5+3x1,0, UL/CSA	8000-54512-4480300
MVP-Metall, 4xM12, 5pole, pre-wired cable 5.0m PUR 8x0,5+3x1,0, UL/CSA	8000-54512-4480500
MVP-Metall, 4xM12, 5pole, pre-wired cable 10.0m PUR 8x0,5+3x1,0, UL/CSA	8000-54512-4481000
MVP-Metall, 4xM12, 5pole, pre-wired cable 15.0m PUR 8x0,5+3x1,0, UL/CSA	8000-54512-4481500

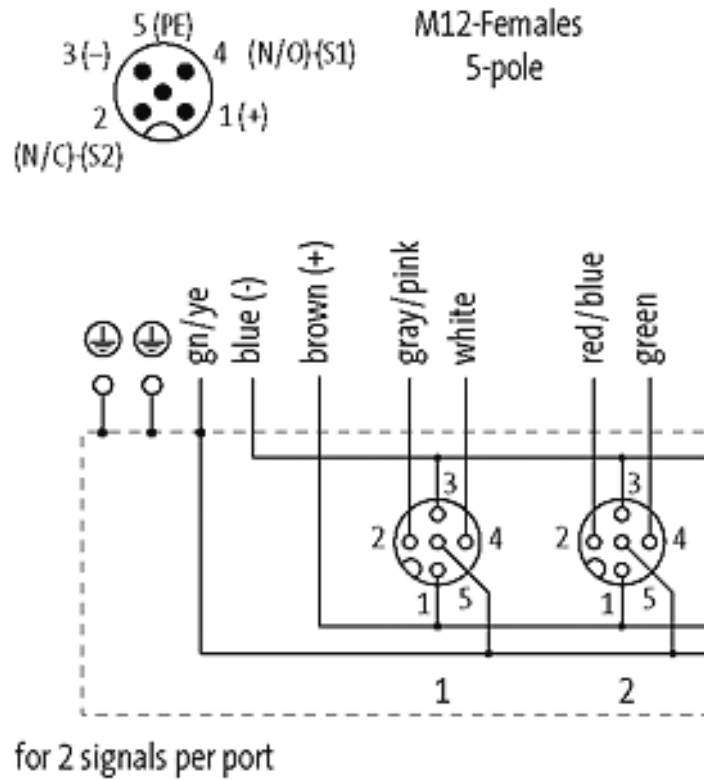
Comments

Further cable lengths on request.

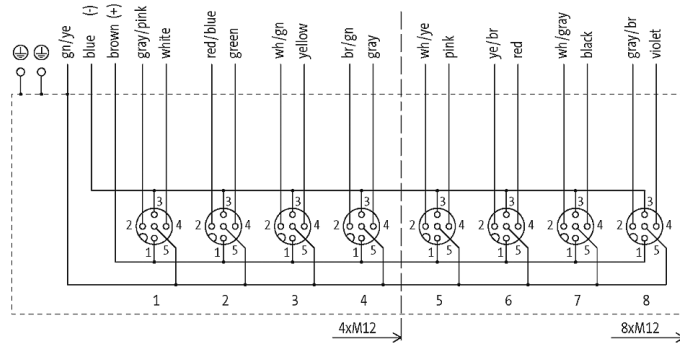
All data on this data sheet was compiled carefully.

Liability regarding correctness, completeness, and actuality is limited to gross negligence. Created: 06/12

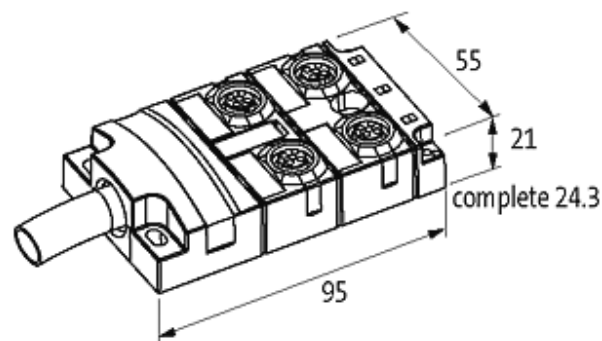
Contact layout



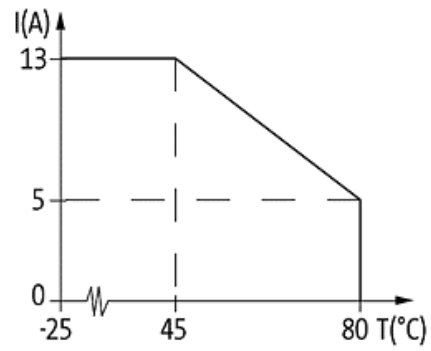
Circuit diagram



Dimension drawing



De-rating curve



Representante oficial de:



[Argentina – Uruguay – Paraguay – Bolivia – Colombia – y Perú.]



Calle 49 N° 5764 - Villa Ballester (B1653AOX) - Prov. de Buenos Aires - ARGENTINA
Tel: (+54 11) 4768-4242 / Fax: (+54 11) 4849-1212
Mail: ventas@nakase.com.ar / Web: www.nakase.com.ar

