

MVP-Metall, 8xM12, 5pole, pre-wired cable 10.0m PUR 16x0,34+5x0,75, UL/CSA

8-way, 5-pole, DIAGNOSTIC
 PUR (UL/CSA), halogen free
 10.0 m
 Operating current 2 A per port

Image

- integrated electronic current monitoring with shutoff
- electronic diagnostic with ERROR LED
- Suitable for C-tracks, halogen-free

Vicarious picture

Contact layout

Contact 1	(+)
Contact 2	(N/C)/(S2)
Contact 3	(-)
Contact 4	(N/O)/(S1)
Contact 5	(Earth)
LED display	LED (green): Power LED (yellow): Signal (S1/S2) LED (red): Error

Technical Data

Operating voltage	24 V DC, (EN 61131-2), potential separation 0 V for left/right side
Current consumption module	max. 35 mA
Diagnostic output	active high, max. load 25 mA, wire "brown 2"
Total current	max. 10 A
Housing	zinc die casting, matte nickel plated
Protection	IP65, IP67, IP68 when plugged and screwed down (EN 60529)
Temperature range	-20...+60 °C

Technical data M12 port

Inrush capacity	max. 1470 µF
Short-circuit and overload protection	switched positive
Required power supply with max. ports	<= 20 A
Operating current (contact 3)	max. 2 A (shutoff 2.3...2.7 A)
Locking of ports	Screw thread M12 × 1 mm

Cable

No./diameter of wires	16 × 0.34 + 5 × 0.75 mm ²
C-track properties	5 Mio.
Jacket	PUR (UL/CSA), halogen free
Outer diameter	approx. 11.5 mm
Bend radius (mobile)	10 x outer diameter

Description

All M12 ports are current monitored regarding 0 V total current (contact 3), and are switched off in case of overload or short-circuit (self-resetting). Supply voltage remains the same. In case of a fault the DIAGNOSTIC signal ?active high? to the PLC (wire ?brown? 2) drops from 24 V DC to 0 V. The operator can immediately react by analyzing the diagnostic signal. - less downtime - easy trouble-shooting due to red LED ?ERROR? and red LED at the plug position.

General data

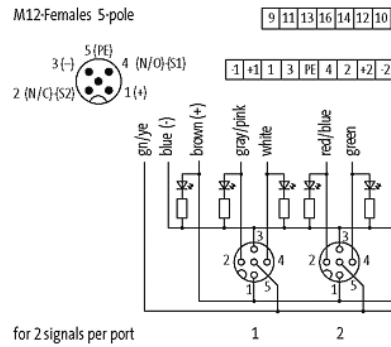
LED displays - module	LED (green): P1 and P2; LED (red): ERROR for optical diagnostics
LED display per port	LED (yellow): contact 4 and 2; 2 × LED (red): for failure

All data on this data sheet was compiled carefully.

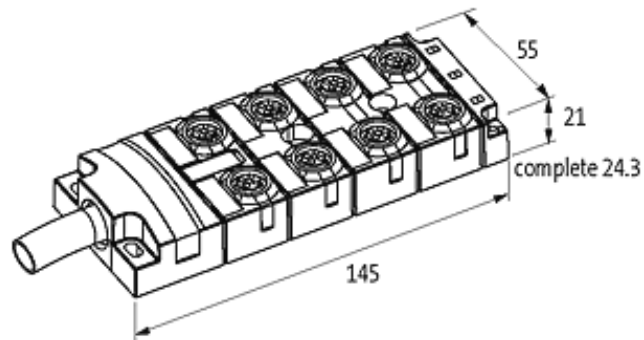
Liability regarding correctness, completeness, and actuality is limited to gross negligence. Created: 06/12

Commercial data	
Net weight	3360
Net weight	3360
Weight unit	gram
Basic unit	pc.
Customs tariff number	85444290
Unit (piece)	1
Limited value	1
Accessories	Art.-No.
Screw plug M12 Metal	996049
M12 plastic lock screw	58627
Earth connection set MVP Metal	996064
V2A-baseplate MVP Metal 4-port	996065
V2A-baseplate MVP Metal 8-port	996066
label plates 20x8 mm white 2 sets =10p.	996067
DIN-rail adapter	27905
Comments	
Further cable lengths on request.	

Contact layout



Dimension drawing



Representante oficial de:



[Argentina – Uruguay – Paraguay – Bolivia – Colombia – y Perú.]



Calle 49 N° 5764 - Villa Ballester (B1653AOX) - Prov. de Buenos Aires - ARGENTINA
Tel: (+54 11) 4768-4242 / Fax: (+54 11) 4849-1212
Mail: ventas@nakase.com.ar / Web: www.nakase.com.ar

