

Exact12, 4-way, UNIVERSAL, with pre-wired homerun cable

4-way UNIVERSAL, shielded
pre-wired homerun cable
without LED

Image

Vicarious picture

Approvals**Contact layout**

Contact 1	(S1)
Contact 2	(S2)
Contact 3	(S3)
Contact 4	(S4)
Contact 5	(Earth)

Form

84712

Technical Data

Operating voltage	42 V AC/DC
Operating current per contact (40 °C)	max. 10 A
Total current	max. 10 A
Housing	Plastic, flame retardant
Protection	IP65 and IP67 when plugged and screwed down (EN 60529)
Temperature range	-20...+70 °C, depending on cable quality

Technical data M12 port

Locking of ports	Screw thread M12 × 1 mm
------------------	-------------------------

You can chose from the following variants:

	Art.-No.
Exact12, 4xM12, 1:1, fixed cable 3.0m PUR/PVC 16x0,34+3x0,75	8000-84712-3980300
Exact12, 4xM12, 1:1, fixed cable 5.0m PUR/PVC 16x0,34+3x0,75	8000-84712-3980500
Exact12, 4xM12, 1:1, fixed cable 10.0m PUR/PVC 16x0,34+3x0,75	8000-84712-3981000
Exact12, 4xM12, 1:1, fixed cable 15.0m PUR/PVC 16x0,34+3x0,75	8000-84712-3981500

Comments

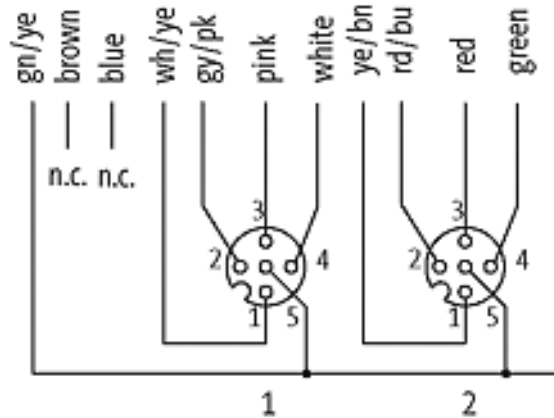
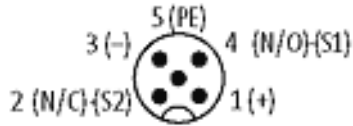
Further cable lengths on request.
Plastic housings with good resistance against chemicals and oils.
The resistance to aggressive media should be individually tested for your application. Further details on request.

All data on this data sheet was compiled carefully.

Liability regarding correctness, completeness, and actuality is limited to gross negligence. Created: 06/12

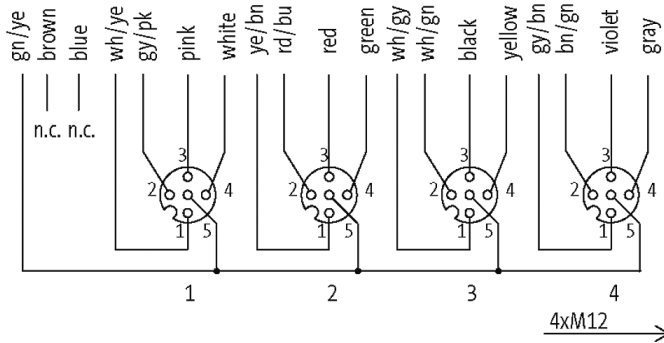
Contact layout

M12-Females 5-pole

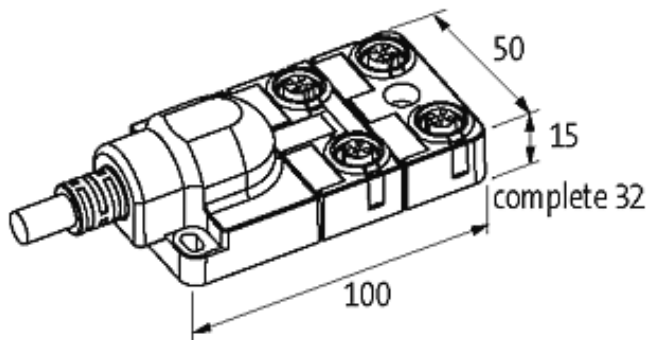


free arrangeable, contact 1:1 on terminals
for 5 signals per port, possibility to bridge each PIN5

Circuit diagram



Dimension drawing



Representante oficial de:



[Argentina – Uruguay – Paraguay – Bolivia – Colombia – y Perú.]



Calle 49 N° 5764 - Villa Ballester (B1653AOX) - Prov. de Buenos Aires - ARGENTINA
Tel: (+54 11) 4768-4242 / Fax: (+54 11) 4849-1212
Mail: ventas@nakase.com.ar / Web: www.nakase.com.ar

