

Exact12, 4xM12, 4-pole, cap. plug. spring term. self wireable, PNP LED

4-way, 4-pole

Form PNP

Spring clamp plug-in terminals

## Image



Vicarious picture

## Approvals



## Contact layout

Contact 1	(+)
Contact 3	(-)
Contact 4	(N/O)/(S1)
Contact 5	(Earth)
LED display	LED (green): Power    LED (yellow): signal (S1)

## Technical Data

Operating voltage	24 V DC
Operating current per contact (40 °C)	max. 4 A
Connection	Spring clamp terminals max. 1.5 mm <sup>2</sup> (AWG 16)
Total current	max. 8 A
Housing	Plastic, flame retardant
Protection	IP65 and IP67 when plugged and screwed down (EN 60529)
Temperature range	-20...+60 °C

## Technical data M12 port

Locking of ports	Screw thread M12 × 1 mm
------------------	-------------------------

All data on this data sheet was compiled carefully.

Liability regarding correctness, completeness, and actuality is limited to gross negligence. Created: 06/12

**Commercial data**

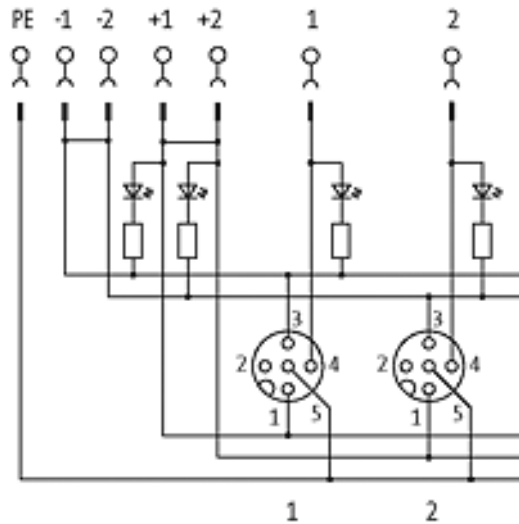
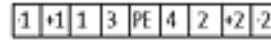
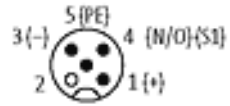
Net weight	153
Net weight	153
Weight unit	gram
Basic unit	pc.
Customs tariff number	85369010
Unit (piece)	1
Limited value	1

**Comments**

Plastic housings with good resistance against chemicals and oils.  
The resistance to aggressive media should be individually tested for your application. Further details on request.

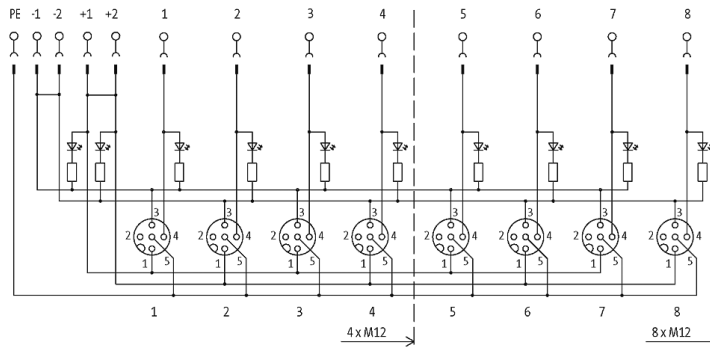
Contact layout

M12-Females 4-pole

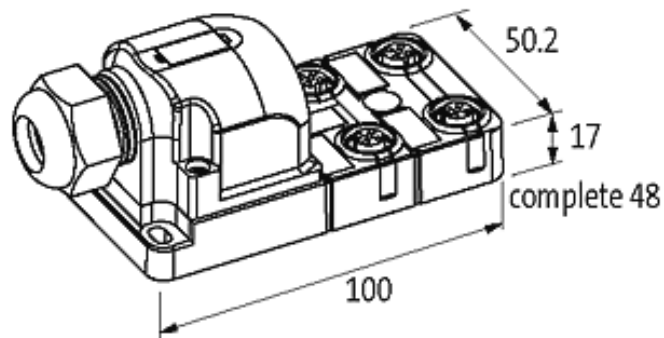


for 1 signal per port

Circuit diagram



Dimension drawing



**De-rating curve**