

**MVP-Metall, 8xM12, 5pole, M23 19pol. con. connector exit frontside**

8-way, 5-pole  
 M23 plug connection  
 19-pole used  
 with LED for digital PNP-signals 24 V DC  
 Replaced identical product (Art.No. 27535)

**Image**

- unshielded or shielded usable

Vicarious picture

**Approvals****Contact layout**

|             |  |
|-------------|--|
| Contact 1   | (+)  |
| Contact 2   | (N/C)/(S2)   |
| Contact 3   | (-)  |
| Contact 4   | (N/O)/(S1)   |
| Contact 5   | (Earth)  |
| Shield      | via M12 outer thread and M23 outer thread          |
| LED display | LED (green): Power    LED (yellow): Signal (S1/S2) |

**Technical Data**

|                                       |   |
|---------------------------------------|---|
| Operating voltage                     | 24 V DC   |
| Operating current per contact (40 °C) | max. 4 A  |
| Total current                         | max. 7.5 A  |
| Housing                               | zinc die casting, matte nickel plated                     |
| Protection                            | IP65, IP67, IP68 when plugged and screwed down (EN 60529) |
| Temperature range                     | -25...+80 °C  |

**Technical data M12 port**

|                  |                         |
|------------------|-------------------------|
| Locking of ports | Screw thread M12 × 1 mm |
|------------------|-------------------------|

**Commercial data**

|                       |          |
|-----------------------|----------|
| Net weight            | 468      |
| Net weight            | 468      |
| Weight unit           | gram     |
| Basic unit            | pc.      |
| Customs tariff number | 85369010 |
| Unit (piece)          | 1        |
| Limited value         | 1        |

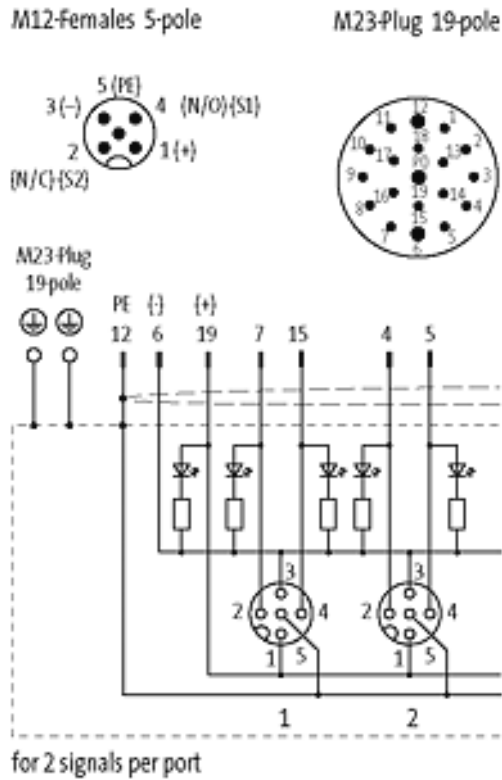
**Comments**

For connection cables please see chapter "Field passive"

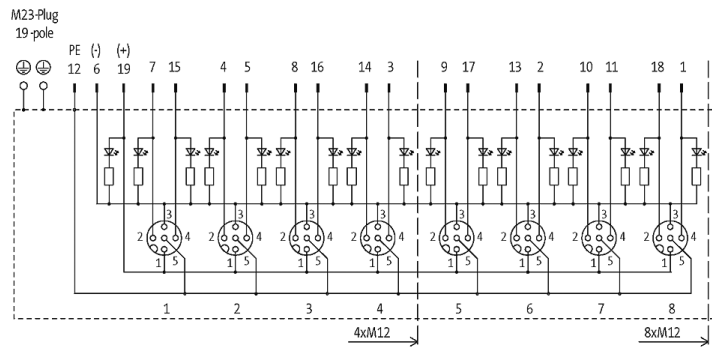
All data on this data sheet was compiled carefully.

Liability regarding correctness, completeness, and actuality is limited to gross negligence. Created: 06/12

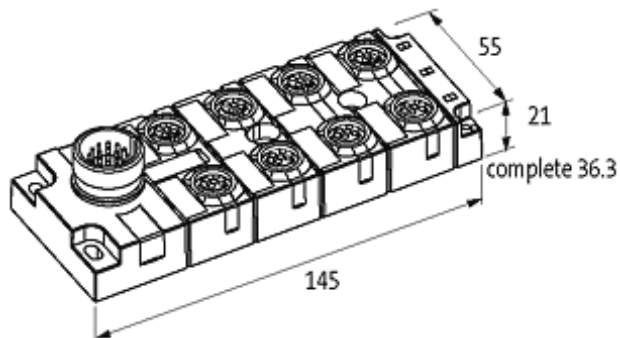
Contact layout

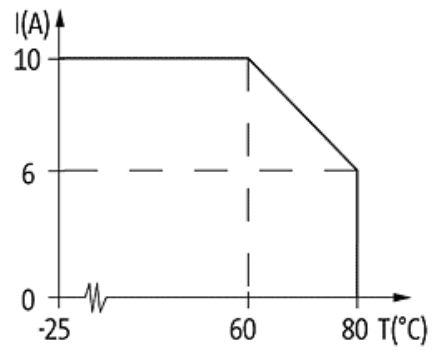


Circuit diagram



Dimension drawing



**De-rating curve**

Representante oficial de:



[Argentina – Uruguay – Paraguay – Bolivia – Colombia – y Perú.]



Calle 49 N° 5764 - Villa Ballester (B1653AOX) - Prov. de Buenos Aires - ARGENTINA  
Tel: (+54 11) 4768-4242 / Fax: (+54 11) 4849-1212  
Mail: [ventas@nakase.com.ar](mailto:ventas@nakase.com.ar) / Web: [www.nakase.com.ar](http://www.nakase.com.ar)

