

**7/8<sup>mm</sup>-T-coupler Replaced Art.-No. 14881**

T-coupler 7/8" - 7/8"  
5-pole  
Parallel switch mode

**Image**

Vicarious picture

**Approvals****Form**

50061

**Technical Data**

Operating voltage	max. 50 V AC/DC
Operating current per contact (40 °C)	max. 8 A
Protection	IP65 and IP67 when plugged and screwed down (EN 60529)
Temperature range	-20...+80 °C

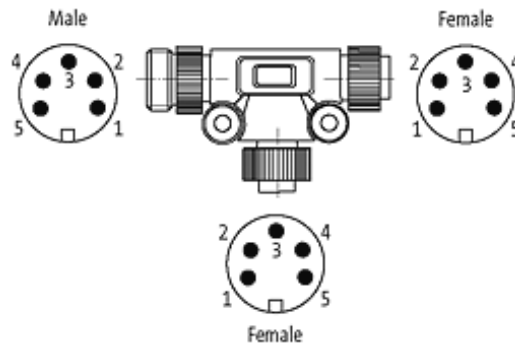
**Commercial data**

Net weight	97
Net weight	97
Weight unit	gram
Basic unit	pc.
Customs tariff number	85369010
Unit (piece)	1
Limited value	1

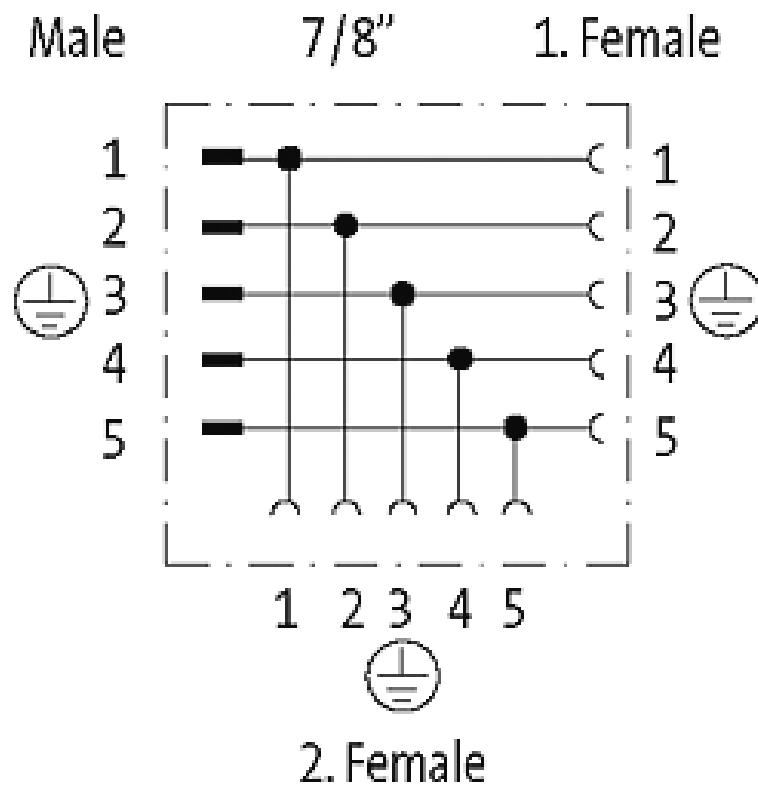
**Comments**

Further cable lengths on request.  
Plastic housings with good resistance against chemicals and oils.  
The resistance to aggressive media should be individually tested for your application. Further details on request.

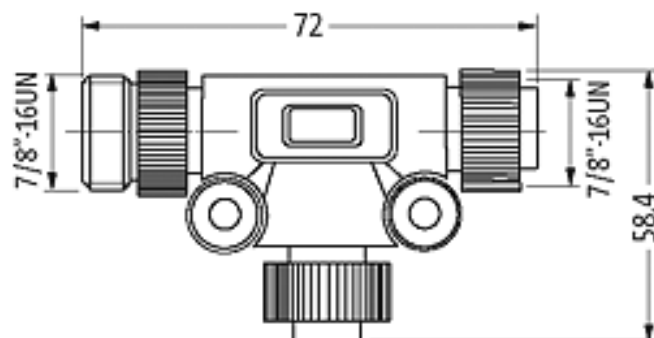
## Contact layout



## Circuit diagram



## Dimension drawing



Representante oficial de:



[Argentina – Uruguay – Paraguay – Bolivia – Colombia – y Perú.]



Calle 49 N° 5764 - Villa Ballester (B1653AOX) - Prov. de Buenos Aires - ARGENTINA  
Tel: (+54 11) 4768-4242 / Fax: (+54 11) 4849-1212  
Mail: [ventas@nakase.com.ar](mailto:ventas@nakase.com.ar) / Web: [www.nakase.com.ar](http://www.nakase.com.ar)

