

M12 male 90° shielded b-cod.with cable, Profibus PUR-OB 1x2x0,64 shielded violet 1,5m

PROFIBUS, B-coded  
Male 90°, M12  
2-pole, shielded

### Image



Vicarious picture

### Approvals



### Bus technologies



### Form

14081

### Technical Data

|                                       |   |
|---------------------------------------|---|
| Operating voltage                     | max. 60 V AC/DC   |
| Protection                            | IP65 and IP67 when plugged and screwed down (EN 60529)              |
| Operating current per contact (40 °C) | max. 4 A  |
| Locking of ports                      | screw thread M12 × 1 mm (recommended torque = 0.6 Nm) self-securing |
| Temperature range                     | -25...+85 °C, depending on cable quality                            |

All data on this data sheet was compiled carefully.

Liability regarding correctness, completeness, and actuality is limited to gross negligence. Created: 06/12

| <b>Cable</b>               |                     |
|----------------------------|---------------------|
| No./diameter of wires      | 1 × 2 × Ø 0.64 mm   |
| Wire isolation             | PUR (rd, gn)        |
| C-track properties         | 3 Mio.              |
| Jacket                     | PUR (UL/CSA)        |
| Outer diameter             | approx. 7.7 mm      |
| Bend radius (mobile)       | 15 × outer diameter |
| Temperature range (fixed)  | -40...+80 °C        |
| Temperature range (mobile) | -20...+70 °C        |

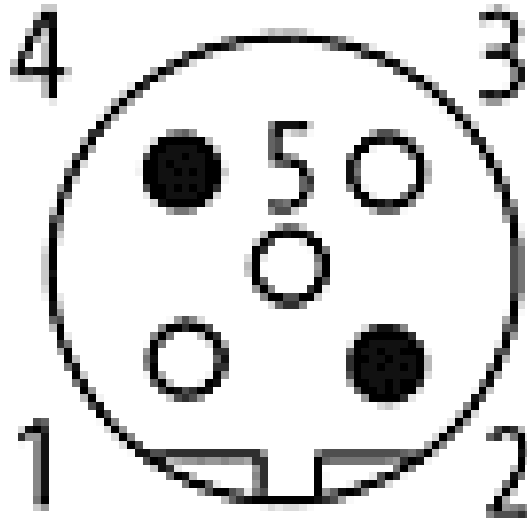
| <b>Commercial data</b> |          |
|------------------------|----------|
| Net weight             | 154      |
| Net weight             | 154      |
| Weight unit            | gram     |
| Basic unit             | pc.      |
| Customs tariff number  | 85444290 |
| Unit (piece)           | 1        |
| Limited value          | 1        |

| <b>Accessories</b>  | <b>Art.-No.</b>    |
|---|--------------------|
| Bus terminating plug for PROFIBUS M12 male 0°, b-cod. with termination resistor | 7000-14041-0000000 |
| M12-Schaltschrankdurchführung 5pol B-cod  | 7000-44111-0000000 |

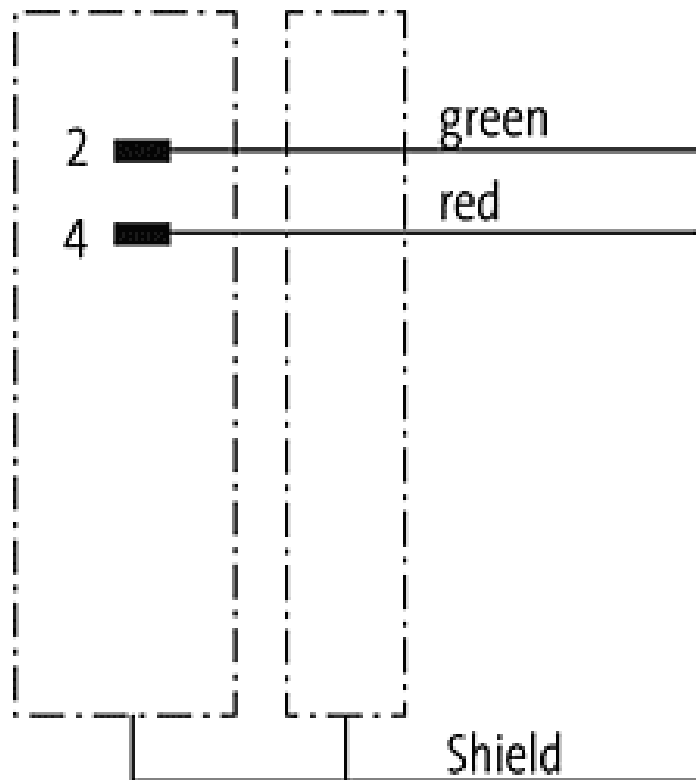
| <b>Comments</b>   |
|---|
| <p>Plastic housings with good resistance against chemicals and oils.</p> <p>The resistance to aggressive media should be individually tested for your application. Further details on request.</p> <p>Further cable lengths on request.</p> |

Contact layout

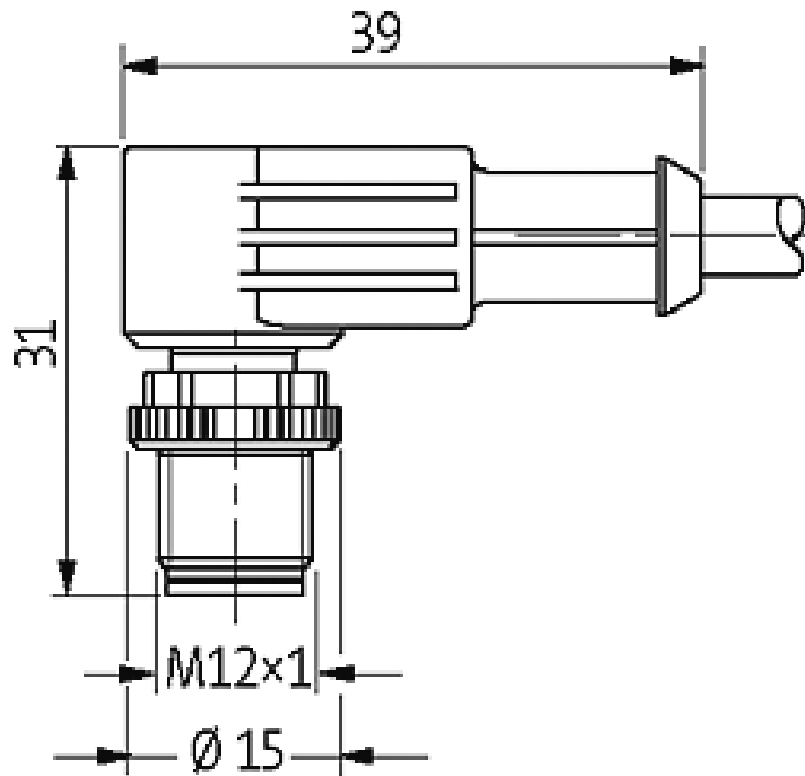
# Male



Circuit diagram



Dimension drawing



Representante oficial de:



[Argentina – Uruguay – Paraguay – Bolivia – Colombia – y Perú.]



Calle 49 N° 5764 - Villa Ballester (B1653AOX) - Prov. de Buenos Aires - ARGENTINA  
Tel: (+54 11) 4768-4242 / Fax: (+54 11) 4849-1212  
Mail: [ventas@nakase.com.ar](mailto:ventas@nakase.com.ar) / Web: [www.nakase.com.ar](http://www.nakase.com.ar)

