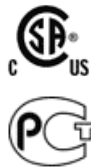


**M12 male straight shielded with cable PVC-JB 5x0,34 shielded grey 1,5m**

Male straight  
5-pole, shielded

**Image**

Vicarious picture

**Approvals****Form**

13101

**Technical Data**

Protection	IP65 and IP67 when plugged and screwed down (EN 60529)
Operating voltage	max. 60 V AC/DC
Operating current per contact (40 °C)	max. 4 A
Locking of ports	screw thread M12 x 1 mm (recommended torque = 0.6 Nm) self-securing
Temperature range	-25...+85 °C, depending on cable quality

**Cable**

No./diameter of wires	5 x 0.34 mm <sup>2</sup>
Wire isolation	PVC (br, wh, bl, bk, gnye)
C-track properties	Max. Externe Vorsicherung 20 A (T) in der Gebäudeinstallation
Jacket	PVC
Outer diameter	approx. 5.9 mm
Bend radius (mobile)	15 x outer diameter
Temperature range (fixed)	-30...+80 °C
Temperature range (mobile)	-5...+70 °C

All data on this data sheet was compiled carefully.

Liability regarding correctness, completeness, and actuality is limited to gross negligence. Created: 06/12

**Commercial data**

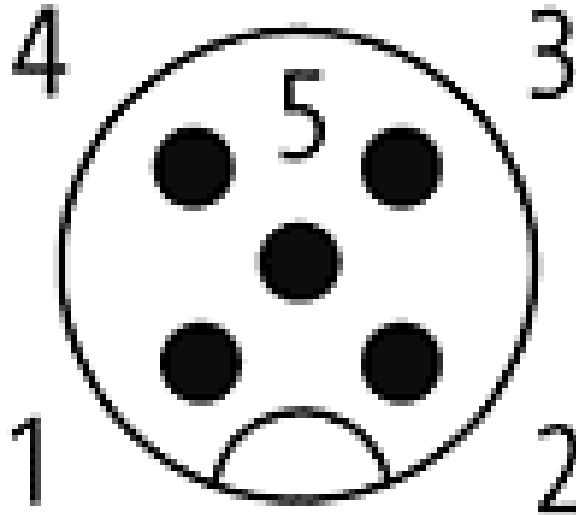
Net weight	118
Net weight	118
Weight unit	gram
Basic unit	pc.
Customs tariff number	85444290
Unit (piece)	1
Limited value	1

**Comments**

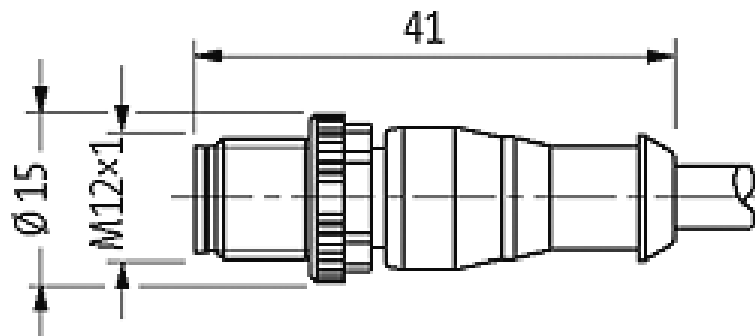
Plastic housings with good resistance against chemicals and oils.  
The resistance to aggressive media should be individually tested for your application. Further details on request.  
Further cable lengths on request.

Contact layout

# Male



Dimension drawing



Representante oficial de:



[Argentina – Uruguay – Paraguay – Bolivia – Colombia – y Perú.]



Calle 49 N° 5764 - Villa Ballester (B1653AOX) - Prov. de Buenos Aires - ARGENTINA  
Tel: (+54 11) 4768-4242 / Fax: (+54 11) 4849-1212  
Mail: [ventas@nakase.com.ar](mailto:ventas@nakase.com.ar) / Web: [www.nakase.com.ar](http://www.nakase.com.ar)

