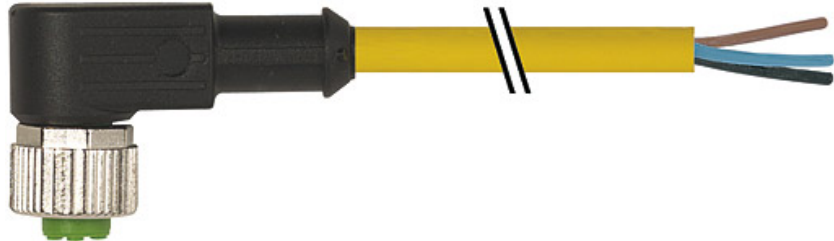


M12 female connector 90° with cable PVC-OB 4x0,34 yellow 1,5m

Female 90°

4-pole

Art.-No. 7005 - M12 Lite - (plastic hexagonal screw) on request

Image

Vicarious picture

Approvals**Express shipments****Form**

12341

Technical Data

Protection	IP65 and IP67 when plugged and screwed down (EN 60529)
Operating voltage	max. 250 V AC/DC
Operating current per contact (40 °C)	max. 4 A
Locking of ports	screw thread M12 × 1 mm (recommended torque = 0.6 Nm) self-securing
Temperature range	-25...+85 °C, depending on cable quality

All data on this data sheet was compiled carefully.

Liability regarding correctness, completeness, and actuality is limited to gross negligence. Created: 06/12

Cable

No./diameter of wires	4 × 0.34 mm ²
Wire isolation	PVC (br, wh, bl, bk)
C-track properties	Max. Externe Vorsicherung 20 A (T) in der Gebäudeinstallation
Jacket	PVC
Outer diameter	approx. 5.0 mm
Bend radius (mobile)	10 x outer diameter
Temperature range (fixed)	-30...+80 °C
Temperature range (mobile)	-5...+80 °C

Commercial data

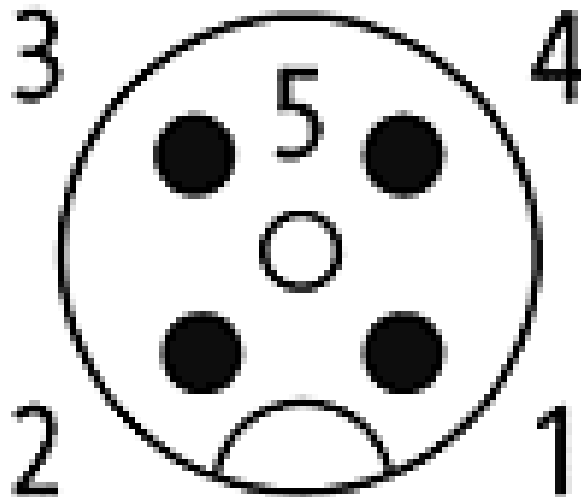
Net weight	76
Net weight	76
Weight unit	gram
Basic unit	pc.
Customs tariff number	85444290
Unit (piece)	1
Limited value	1

Comments

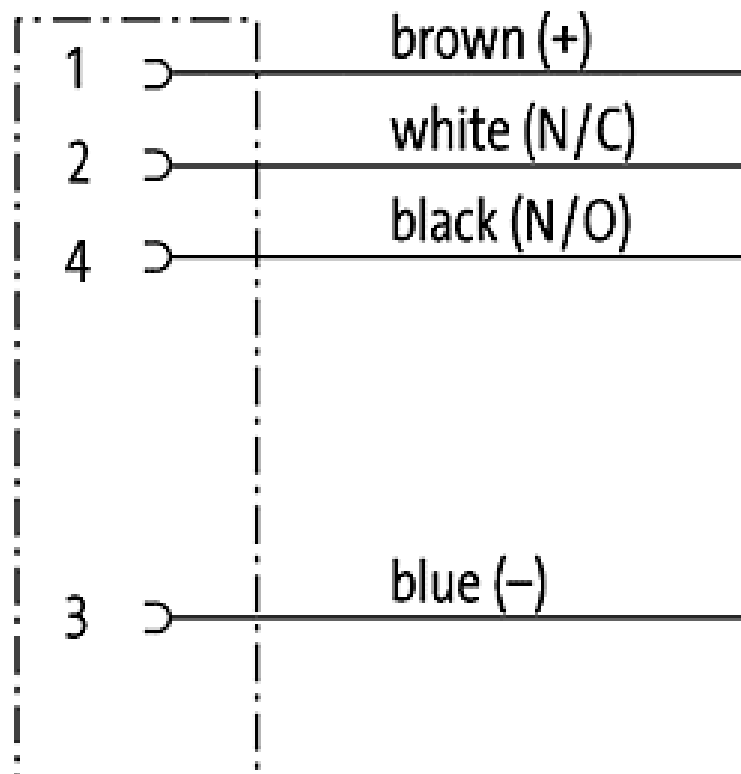
Plastic housings with good resistance against chemicals and oils.
The resistance to aggressive media should be individually tested for your application. Further details on request.
Further cable lengths on request.

Contact layout

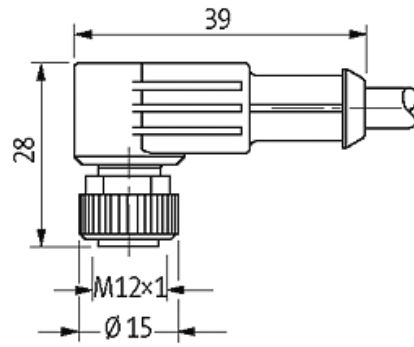
Female



Circuit diagram



Dimension drawing



Representante oficial de:



[Argentina – Uruguay – Paraguay – Bolivia – Colombia – y Perú.]



Calle 49 N° 5764 - Villa Ballester (B1653AOX) - Prov. de Buenos Aires - ARGENTINA
Tel: (+54 11) 4768-4242 / Fax: (+54 11) 4849-1212
Mail: ventas@nakase.com.ar / Web: www.nakase.com.ar

