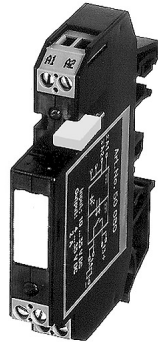


AMMDS 10-44/1 Opto-coupler module IN: 35 VDC - OUT: 35 VDC / 2 A

Transistor 2 A
24 V DC
with minus plug link

Image

- for rapid switching

Vicarious picture

Input

Voltage range ON	10...35 V DC
Voltage range OFF	0...5 V DC
Operating current	15 mA
LED display	LED (red)
Plug link	Art.-No. 90960 (included)

Output

Switching voltage	5...35 V DC
Switching current	1 mA...2 A
Saturation voltage (across output)	<= 0.5 V DC
Leakage current (when output is open)	<= 0.3 mA
Switching time ON/OFF	7/6 μ s
Switching frequency	max. 30 kHz/200 Hz (resist./ind.)

General data

Test isolation voltage	2.5 kV
Temperature range	-20...+60 °C
Housing	Plastic black, flame retardant
Mounting method	DIN-rail mountable TH35 or G32 (EN 60715)
Dimensions H x W x D	82 x 12 x 68 mm

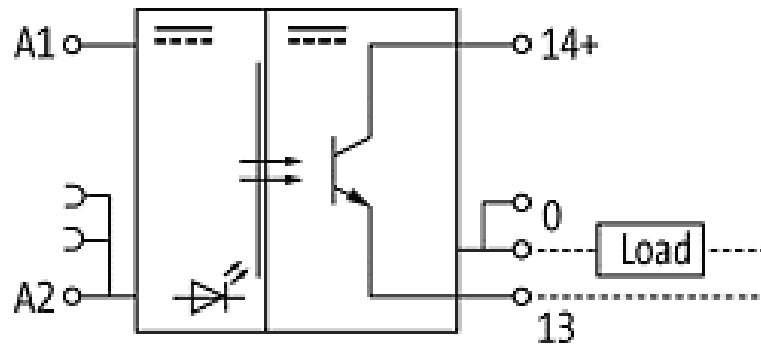
Commercial data

Net weight	36
Net weight	36
Weight unit	gram
Basic unit	pc.
Customs tariff number	85414090
Unit (piece)	1
Limited value	1

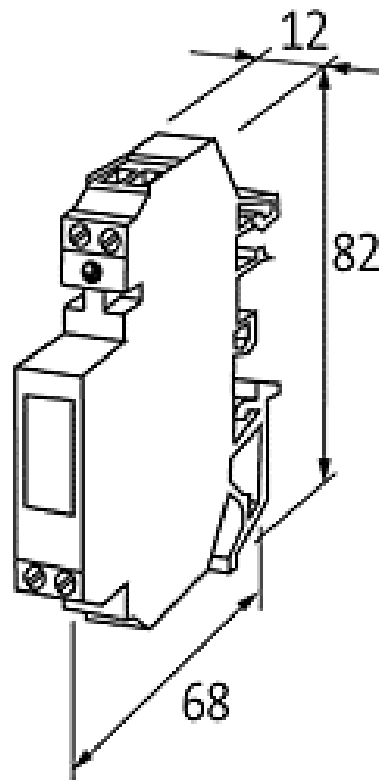
All data on this data sheet was compiled carefully.

Liability regarding correctness, completeness, and actuality is limited to gross negligence. Created: 06/12

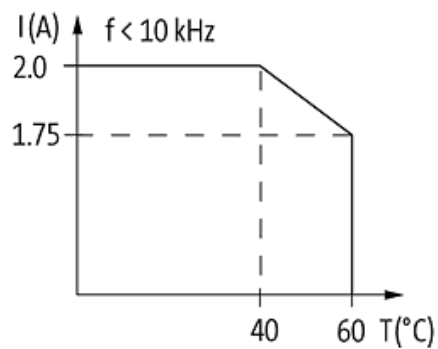
Circuit diagram



Dimension drawing



De-rating curve



Representante oficial de:



[Argentina – Uruguay – Paraguay – Bolivia – Colombia – y Perú.]



Calle 49 N° 5764 - Villa Ballester (B1653AOX) - Prov. de Buenos Aires - ARGENTINA
Tel: (+54 11) 4768-4242 / Fax: (+54 11) 4849-1212
Mail: ventas@nakase.com.ar / Web: www.nakase.com.ar

