

**AMMS 10-44/2 A Opto-coupler module IN: 53 VDC - OUT: 40 VDC / 2 A**

Transistor 2 A  
24 V DC

**Image**

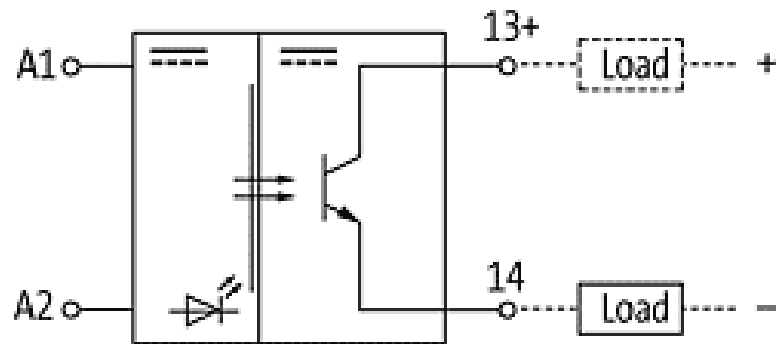
Vicarious picture

<b>Input</b>	
LED display	LED (red)
Voltage range ON	10...53 V DC
Voltage range OFF	0...3 V DC
Operating current	6 mA
<b>Output</b>	
Switching current	10 mA...2 A
Switching voltage	4.5...40 V DC
Saturation voltage (across output)	<= 0.1 V DC
Leakage current (when output is open)	<= 0.1 mA
Switching time ON/OFF	2/8 ms
Switching frequency	max. 2.5 Hz
<b>General data</b>	
Test isolation voltage	2.5 kV
Temperature range	-20...+60 °C
Housing	Plastic black, flame retardant
Mounting method	DIN-rail mountable TH35 or G32 (EN 60715)
Dimensions H x W x D	56 x 12 x 64 mm
<b>Commercial data</b>	
Net weight	27
Net weight	27
Weight unit	gram
Basic unit	pc.
Customs tariff number	85414090
Unit (piece)	1
Limited value	1

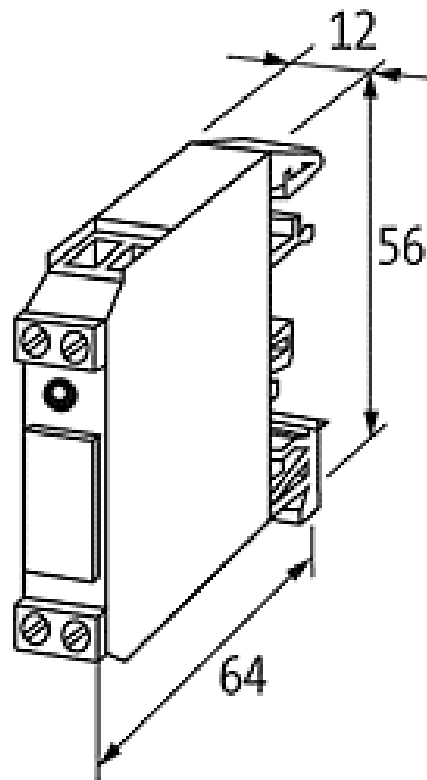
All data on this data sheet was compiled carefully.

Liability regarding correctness, completeness, and actuality is limited to gross negligence. Created: 06/12

## Circuit diagram



## Dimension drawing



Representante oficial de:



[Argentina – Uruguay – Paraguay – Bolivia – Colombia – y Perú.]



Calle 49 N° 5764 - Villa Ballester (B1653AOX) - Prov. de Buenos Aires - ARGENTINA  
Tel: (+54 11) 4768-4242 / Fax: (+54 11) 4849-1212  
Mail: [ventas@nakase.com.ar](mailto:ventas@nakase.com.ar) / Web: [www.nakase.com.ar](http://www.nakase.com.ar)

