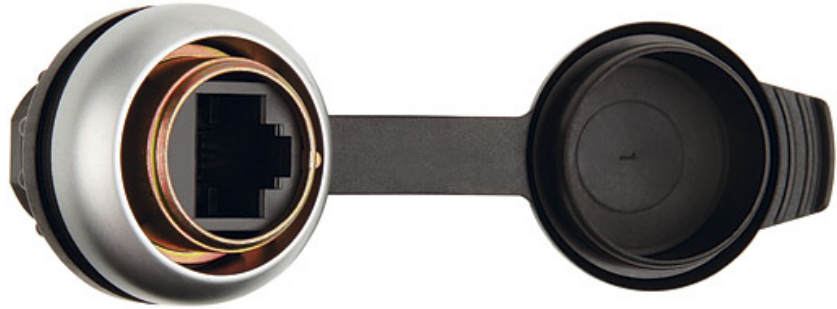


MSDD pass-through RJ45 fem/fem

RJ45
1 × RJ45, 8-pole metal, CAT5e (female/female)

Image

Vicarious picture

Technical Data

Operating voltage	24 V AC
Operating current	max. 1.5 A
Specification	SUB-D: (DIN 41652/IEC 60807-1); RJ45: CAT5e (100 MHz or Mbit/s); USB: 2.0/Type 2dB (max. 480 Mbit/s)
Mounting depth mounted	approx. 19 mm

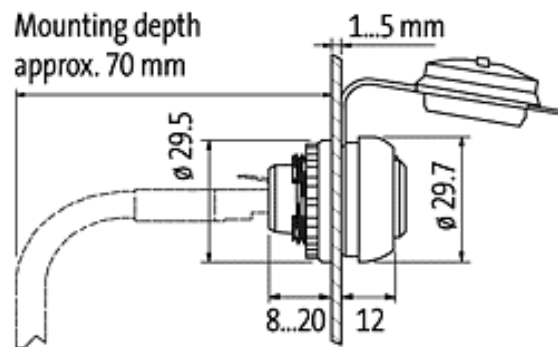
General data

Shielded	yes
Protection	IP65
Dimensions Ø × D	29.5 x 29 mm
Cut-out	Ø 22.5 mm

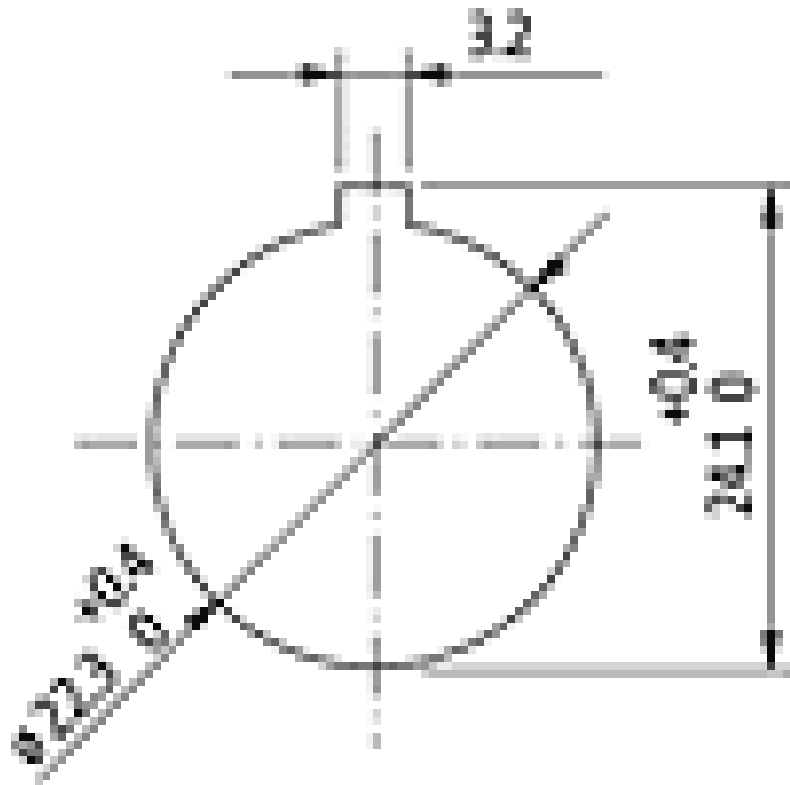
Commercial data

Net weight	18
Net weight	18
Weight unit	gram
Basic unit	pc.
Customs tariff number	85369010
Unit (piece)	1
Limited value	1

Dimension drawing



Control cabinet cut-out



Representante oficial de:



[Argentina – Uruguay – Paraguay – Bolivia – Colombia – y Perú.]



Calle 49 N° 5764 - Villa Ballester (B1653AOX) - Prov. de Buenos Aires - ARGENTINA
Tel: (+54 11) 4768-4242 / Fax: (+54 11) 4849-1212
Mail: ventas@nakase.com.ar / Web: www.nakase.com.ar

